



# 全本公示稿

.....

.....

.....

.....

.....

.....

.....

.....

.....

.....

.....

.....

.....

.....

.....

.....

.....

.....

.....

.....

.....

.....

.....

.....

.....

.....

.....



.....  
.....  
.....  
.....  
.....  
.....  
.....  
.....

**1**

**1.1**

682

44

<

>

1

"

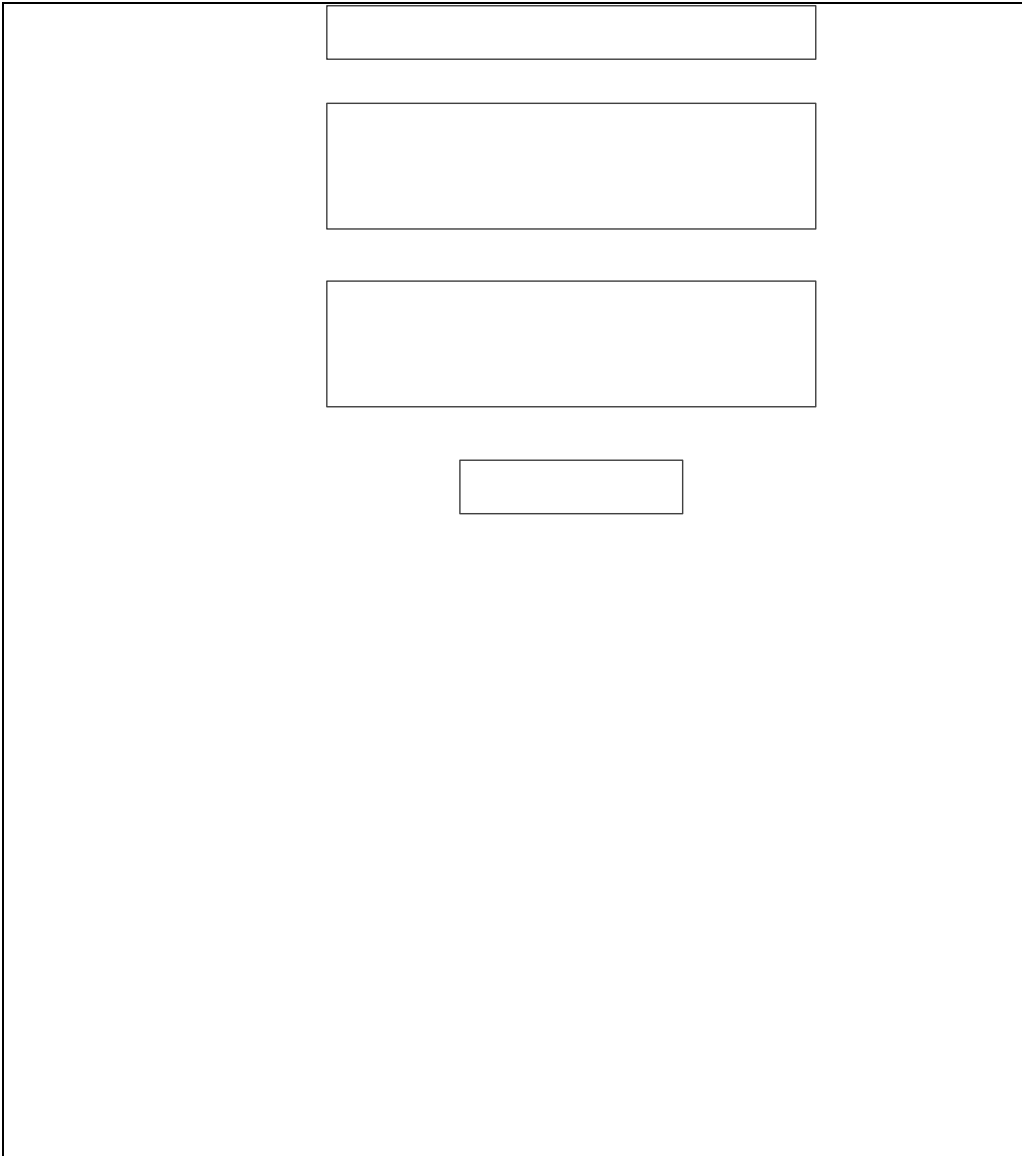
61

50

"

**1.2**

**1.3**



**1.4**

**1.4.1**

2019-340504-31-03-019937

**1.4.2**

**1.4.3**

**1.4.4**

**1.4.5**



**1.4.6****1.4.7**

|      |  |  |
|------|--|--|
|      |  |  |
|      |  |  |
|      |  |  |
| VOCs |  |  |

### 1.4.8

### 1.5

### 1.6

“ ”

## 2

### 2.1

#### 2.1.1

|           |    |   |      |      |    |      |      |      |  |
|-----------|----|---|------|------|----|------|------|------|--|
| 1         |    |   |      |      |    |      |      |      |  |
| 2         |    |   | 2018 | 12   | 29 |      |      |      |  |
| 3         |    |   | 2018 | 10   | 26 |      |      |      |  |
| 4         |    |   | 2017 | 6    | 27 |      |      |      |  |
| 5         |    |   | 2018 | 12   | 29 |      |      |      |  |
| 6         |    |   |      | 2019 | 6  | 5    |      |      |  |
| 7         |    |   |      |      |    |      |      |      |  |
| 8         |    |   |      | 682  |    | 2017 | 10   | 1    |  |
| 9         |    |   | 2019 |      |    |      |      |      |  |
| 10        |    |   |      | 2012 |    |      |      |      |  |
| 2012      |    |   | 2012 | 98   |    |      |      |      |  |
| 11        |    |   |      |      |    | 4    | 2019 | 1    |  |
| 1         |    |   |      |      |    |      |      |      |  |
| 12        |    |   |      |      |    |      | 1    | 2018 |  |
| 4         | 28 |   |      |      |    |      |      |      |  |
| 13        |    |   |      |      |    |      | 2013 | 37   |  |
| 14        |    |   |      |      |    |      |      |      |  |
| 15        |    |   |      |      |    |      |      |      |  |
| [2014]30  |    |   |      |      |    |      |      |      |  |
| 16        |    |   |      |      |    |      | 2015 | 17   |  |
| 17        |    | < |      |      |    |      |      | >    |  |
| [2013]103 |    |   |      |      |    |      |      |      |  |
| 18        |    |   |      |      |    |      |      |      |  |

[2014]197

19

/ ©

2

### 2.1.3

**2.1.4**

**2.2**

**2.2.1**

|  |  |  |
|--|--|--|
|  |  |  |
|  |  |  |
|  |  |  |
|  |  |  |
|  |  |  |
|  |  |  |
|  |  |  |



|                 |   |     |   |                 |
|-----------------|---|-----|---|-----------------|
| O <sub>3</sub>  | 8 | 160 | 3 | HJ2.2-2018<br>D |
| NH <sub>3</sub> | 1 | 200 | 3 |                 |
| HCl             | 1 | 50  |   |                 |

|   |                    |      |             |
|---|--------------------|------|-------------|
|   |                    |      |             |
| 1 | pH                 | 6~9  | GB3838-2002 |
| 2 | COD                | 20   |             |
| 3 |                    | 0.05 |             |
| 4 | NH <sub>3</sub> -N | 1.0  |             |
| 5 | TP                 | 0.2  |             |
| 6 | SS                 | 30   | SL63-94     |

|   |    |    |             |
|---|----|----|-------------|
|   |    |    |             |
| 3 | 65 | 55 | GB3096-2008 |

|  |     |         |    |  |  |
|--|-----|---------|----|--|--|
|  |     |         |    |  |  |
|  | pH  | 6.5 8.5 | 9  |  |  |
|  |     |         | 10 |  |  |
|  |     |         | 11 |  |  |
|  |     |         | 12 |  |  |
|  |     |         | 13 |  |  |
|  |     |         | 14 |  |  |
|  | ( ) |         | 15 |  |  |
|  |     |         | 16 |  |  |



|    |       |       |    |      |      |
|----|-------|-------|----|------|------|
|    |       |       |    |      |      |
| 1  |       | 60    | 25 |      | 0.43 |
| 2  |       | 65    | 26 |      | 4    |
| 3  |       | 5.7   | 27 |      | 270  |
| 4  |       | 18000 | 28 | 1,2- | 560  |
| 5  |       | 800   | 29 | 1,4- | 20   |
| 6  |       | 38    | 30 |      | 28   |
| 7  |       | 900   | 31 |      | 1290 |
|    |       |       | 32 |      | 1200 |
| 8  |       | 2.8   | 33 | +    | 570  |
| 9  |       | 0.9   | 34 |      | 640  |
| 10 |       | 37    |    |      |      |
| 11 | 1,1-  | 9     | 35 |      | 76   |
| 12 | 1,2-  | 5     | 36 |      | 260  |
| 13 | 1,1-  | 66    | 37 | 2-   | 2256 |
| 14 | -1,2- | 596   | 38 | [a]  | 15   |
| 15 | -1,2- | 54    | 39 | [a]  | 1.5  |
| 16 |       | 616   | 40 | [b]  |      |

.2.23.

Ä`

|   |   |  |     |  |
|---|---|--|-----|--|
|   |   |  |     |  |
| 1 |   |  | 15  |  |
|   |   |  | 30  |  |
| 2 |   |  | 15  |  |
|   |   |  | 30  |  |
| 3 | * |  | 20  |  |
| 4 |   |  | 150 |  |
| 5 |   |  | 300 |  |

|   |  |     |
|---|--|-----|
|   |  |     |
| 1 |  | 5.0 |
| 2 |  | 0.2 |

|   |                    |     |
|---|--------------------|-----|
|   |                    |     |
| 1 | pH                 | 6~9 |
| 2 | COD                | 70  |
| 3 | SS                 | 30  |
| 4 |                    | 3   |
| 5 | NH <sub>3</sub> -N | 5   |
| 6 | TP                 | 0.5 |
| 7 | *                  | 10  |

|   |    |    |
|---|----|----|
|   |    |    |
| 3 | 65 | 55 |

## 2.3

### 2.3.1.1

|  |             |
|--|-------------|
|  |             |
|  |             |
|  | 1% Pmax 10% |
|  | Pmax 1%     |

|      |  |                  |     |        |        |   |
|------|--|------------------|-----|--------|--------|---|
|      |  |                  |     |        |        |   |
|      |  | PM <sub>10</sub> | 450 | 4.0834 | 0.9074 | / |
| 1720 |  | TSP              | 900 | 3.3162 | 0.3685 | / |

1%

HJ2.2-2018

HJ2.2-2018 5.3.3.2"

"

**2.3.1.2**

**2.3.1.3**

**2.3.1.4**

|  |  |  |  |
|--|--|--|--|
|  |  |  |  |
|  |  |  |  |
|  |  |  |  |
|  |  |  |  |

**2.3.1.5**

## 2.3-3

|   |  |  |  |  |  |  |  |   |   |
|---|--|--|--|--|--|--|--|---|---|
|   |  |  |  |  |  |  |  |   |   |
|   |  |  |  |  |  |  |  |   |   |
|   |  |  |  |  |  |  |  |   | - |
|   |  |  |  |  |  |  |  | - | - |
| - |  |  |  |  |  |  |  |   |   |

## 2.3.1.6

|   |  |  |  |   |
|---|--|--|--|---|
|   |  |  |  |   |
|   |  |  |  | a |
| a |  |  |  |   |

## 2.3.1.7

|   |  |  |  |     |
|---|--|--|--|-----|
|   |  |  |  |     |
| 1 |  |  |  | 5km |
| 2 |  |  |  |     |

## 2.4

|  |  |        |         |  |      |    |      |                   |
|--|--|--------|---------|--|------|----|------|-------------------|
|  |  |        |         |  |      |    |      |                   |
|  |  |        |         |  |      |    |      |                   |
|  |  | 639456 | 3506032 |  | 4400 | E  | 380  | (GB3095<br>-2012) |
|  |  | 638046 | 3506237 |  | 620  | W  | 920  |                   |
|  |  | 637949 | 3505930 |  | 260  | W  | 1050 |                   |
|  |  | 637532 | 3505753 |  | 80   | W  | 1530 |                   |
|  |  | 638797 | 3505288 |  | 3800 | S  | 815  |                   |
|  |  | 638461 | 3504612 |  | 2620 | S  | 1540 |                   |
|  |  | 638781 | 3504360 |  | 160  | S  | 1870 |                   |
|  |  | 639686 | 3505729 |  | 340  | SE | 760  |                   |
|  |  | 640160 | 3506327 |  | 1250 | E  | 950  |                   |
|  |  | 640234 | 3505947 |  | 2400 | E  | 1120 |                   |
|  |  | 640258 | 3505304 |  | 1200 | SE | 1380 |                   |
|  |  | 640217 | 3504771 |  | 1600 | SE | 1740 |                   |
|  |  | 640262 | 3504242 |  | 2100 | SE | 2160 |                   |
|  |  | 641021 | 3507804 |  | 800  | NE | 2920 |                   |
|  |  | 640687 | 3507151 |  | 2100 | NE | 1790 |                   |
|  |  | 641035 | 3506652 |  | 1300 | E  | 1870 |                   |
|  |  | 640356 | 3506664 |  | 1150 | E  | 1480 |                   |
|  |  | 640877 | 3506672 |  | 800  | E  | 1760 |                   |
|  |  | 641059 | 3506357 |  | 2200 | E  | 1940 |                   |
|  |  | 641137 | 3505999 |  | 1300 | E  | 1870 |                   |
|  |  | 640596 | 3505963 |  | 2200 | E  | 1510 |                   |
|  |  | 640631 | 3505327 |  | 800  | SE | 2150 |                   |
|  |  | 641075 | 3505358 |  | 1140 | SE | 1730 |                   |
|  |  | 640646 | 3504765 |  | 3200 | SE | 1960 |                   |
|  |  | 641133 | 3504272 |  | 2500 | SE | 2800 |                   |

|  |  |      |                     |                  |
|--|--|------|---------------------|------------------|
|  |  |      |                     |                  |
|  |  | W    | 1750                | (GB3838-2002)    |
|  |  |      | 4.33km <sup>2</sup> | (GB/T14848-2017) |
|  |  |      | 0.05km              | (GB36600-2018)   |
|  |  | 200m |                     | (GB3096-2008) 3  |

|  |  |        |         |  |      |    |      |
|--|--|--------|---------|--|------|----|------|
|  |  |        |         |  |      |    |      |
|  |  |        |         |  |      |    |      |
|  |  | 639456 | 3506032 |  | 4400 | E  | 380  |
|  |  | 638046 | 3506237 |  | 620  | W  | 920  |
|  |  | 637949 | 3505930 |  | 260  | W  | 1050 |
|  |  | 637532 | 3505753 |  | 80   | W  | 1530 |
|  |  | 638797 | 3505288 |  | 3800 | S  | 815  |
|  |  | 638461 | 3504612 |  | 2620 | S  | 1540 |
|  |  | 638781 | 3504360 |  | 160  | S  | 1870 |
|  |  | 639686 | 3505729 |  | 340  | SE | 760  |
|  |  | 640160 | 3506327 |  | 1250 | E  | 950  |
|  |  | 640234 | 3505947 |  | 2400 | E  | 1120 |
|  |  | 640258 | 3505304 |  | 1200 | SE | 1380 |
|  |  | 640217 | 3504771 |  | 1600 | SE | 1740 |
|  |  | 640262 | 3504242 |  | 2100 | SE | 2160 |
|  |  | 641021 | 3507804 |  | 800  | NE | 2920 |
|  |  | 640687 | 3507151 |  | 2100 | NE | 1790 |
|  |  | 641035 | 3506652 |  | 1300 | E  | 1870 |
|  |  | 640356 | 3506664 |  | 1150 | E  | 1480 |
|  |  | 640877 | 3506672 |  | 800  | E  | 1760 |
|  |  | 641059 | 3506357 |  | 2200 | E  | 1940 |
|  |  | 641137 | 3505999 |  | 1300 | E  | 1870 |
|  |  | 640596 | 3505963 |  | 2200 | E  | 1510 |
|  |  | 640631 | 3505327 |  | 800  | SE | 2150 |
|  |  | 641075 | 3505358 |  | 1140 | SE | 1730 |
|  |  | 640646 | 3504765 |  | 3200 | SE | 1960 |
|  |  | 641133 | 3504272 |  | 2500 | SE | 2800 |
|  |  | 640673 | 3503717 |  | 680  | SE | 2900 |
|  |  | 640250 | 3503597 |  | 800  | SE | 2810 |
|  |  | 638765 | 3503297 |  | 2800 | S  | 2870 |
|  |  | 639138 | 3502566 |  | 220  | S  | 3590 |
|  |  | 639278 | 3501690 |  | 130  | S  | 4500 |
|  |  | 636928 | 3501707 |  | 40   | SW | 3920 |
|  |  | 634921 | 3503205 |  | 80   | SW | 4800 |
|  |  | 640411 | 3510761 |  | 720  | N  | 4800 |

(GB3095-2012)

## 2.5

### 2.5.1



### 3

#### 3.1

##### 3.1.1

**3.1.2****3.1.3**

|  |      |        |
|--|------|--------|
|  |      |        |
|  | CQ   | 106.96 |
|  | DQ   | 19.86  |
|  | DDQ  | 15.28  |
|  | HSLA | 10.70  |
|  |      | 152.8  |

**3.1.4**

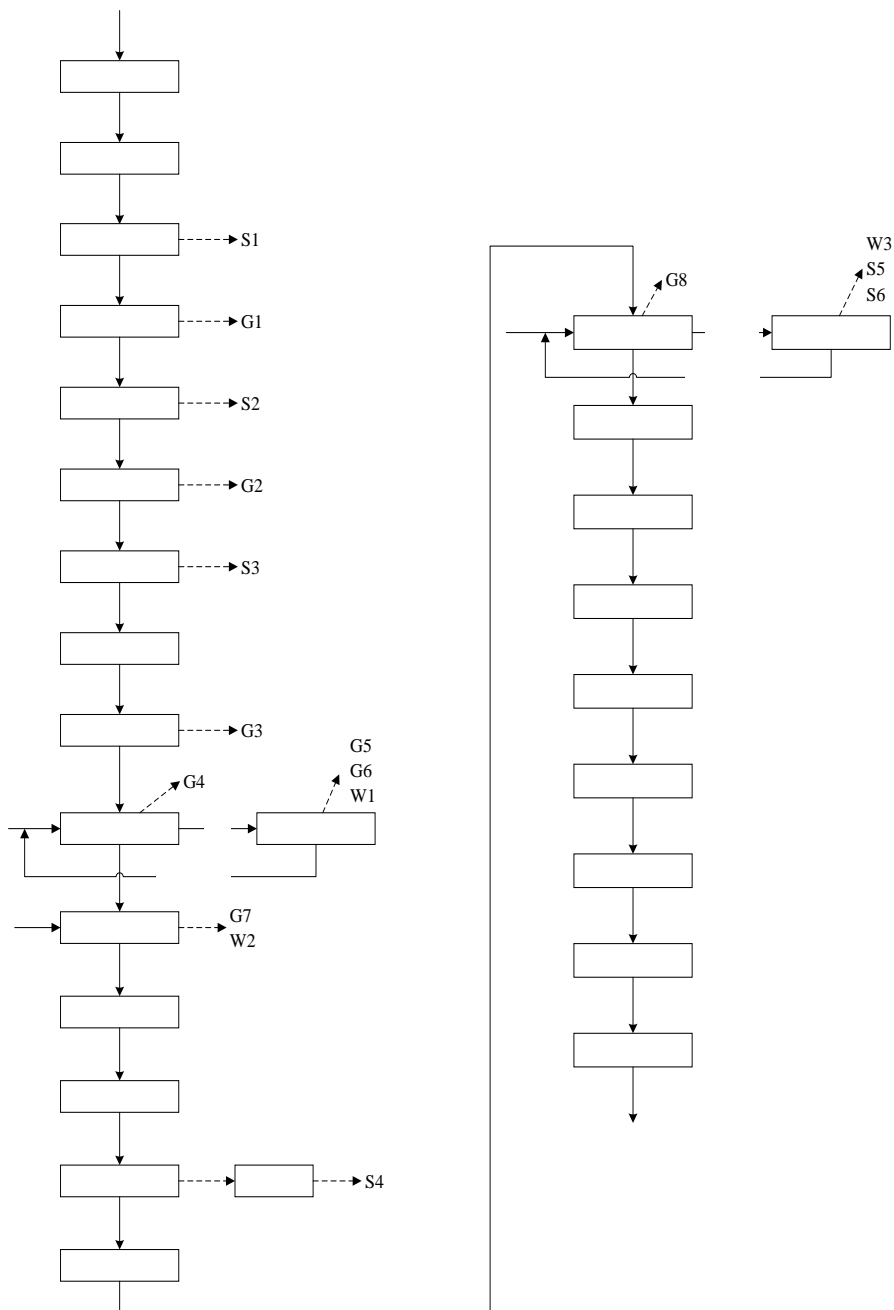
|  |      |                   |                   |                   |                  |                   |                    |                    |                       |
|--|------|-------------------|-------------------|-------------------|------------------|-------------------|--------------------|--------------------|-----------------------|
|  |      |                   |                   |                   |                  |                   |                    |                    |                       |
|  | 1720 | 1720              | -                 |                   |                  |                   |                    | 7530m <sup>2</sup> | 1                     |
|  |      |                   |                   |                   |                  |                   | 152.8              | t                  |                       |
|  |      |                   |                   |                   |                  |                   | 1800m <sup>2</sup> |                    | 1                     |
|  |      |                   |                   |                   |                  |                   |                    |                    | 18m <sup>3</sup> /min |
|  |      | 1720              |                   |                   |                  |                   |                    |                    |                       |
|  |      |                   |                   |                   |                  |                   |                    |                    | 8.5m <sup>3</sup> /h  |
|  |      |                   |                   |                   |                  |                   |                    |                    | 1200m <sup>2</sup>    |
|  |      |                   |                   |                   |                  |                   |                    |                    | 5400m <sup>2</sup>    |
|  |      |                   |                   |                   |                  |                   |                    |                    | 3900m <sup>2</sup>    |
|  |      |                   |                   |                   |                  |                   |                    |                    | 200m <sup>2</sup>     |
|  |      |                   |                   |                   |                  |                   |                    |                    | 1200m <sup>2</sup> 10 |
|  |      | 1                 | 150m <sup>3</sup> |                   | 2                | 150m <sup>3</sup> | 2                  | 150m <sup>3</sup>  | 2                     |
|  |      | 150m <sup>3</sup> |                   | 150m <sup>3</sup> | 40m <sup>3</sup> | 150m <sup>3</sup> |                    |                    |                       |
|  |      |                   |                   |                   |                  |                   |                    |                    | 3000m <sup>3</sup>    |
|  |      |                   |                   |                   |                  |                   |                    |                    | 25m <sup>3</sup> /h   |
|  |      |                   |                   | 301               |                  |                   |                    |                    | 1560m <sup>3</sup> /h |
|  |      |                   |                   |                   |                  |                   |                    |                    | 20m <sup>3</sup> /h   |
|  |      |                   |                   |                   |                  |                   |                    |                    | 8m <sup>3</sup> /d    |
|  |      |                   |                   |                   |                  |                   |                    |                    | 2                     |
|  |      |                   |                   |                   |                  |                   |                    |                    | 7800 kWh              |
|  |      |                   |                   |                   |                  |                   |                    |                    | 6.5t/h                |
|  |      |                   |                   |                   |                  |                   |                    |                    | 80                    |
|  |      |                   |                   |                   |                  |                   |                    |                    | 6450m <sup>3</sup> /h |
|  |      |                   |                   |                   |                  |                   |                    |                    | 1200m <sup>3</sup> /h |



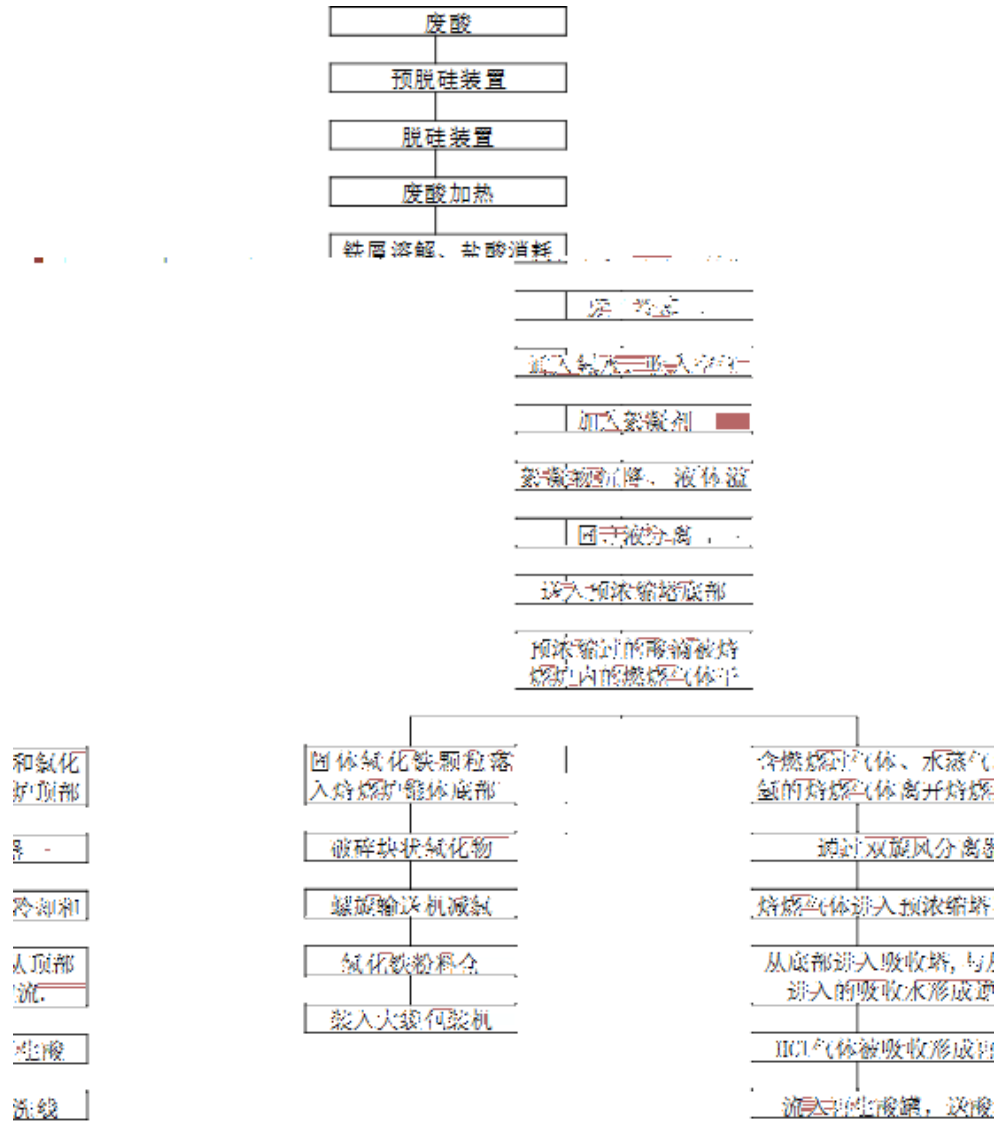
|       |       |               |   |
|-------|-------|---------------|---|
|       |       |               |   |
| 1# 2# | 39m   | 4×28t         | 2 |
|       | /     |               | 1 |
|       | /     |               | 1 |
| 1# 2# | /     |               | 2 |
|       | /     |               | 2 |
|       | /     |               | 2 |
|       | /     |               | 2 |
|       |       | 1m            | 1 |
|       |       | NMW-C         | 1 |
|       | /     |               | 2 |
|       | /     |               | 1 |
| 3#    | 4     |               | 1 |
|       |       |               | 1 |
|       | /     |               | 6 |
|       | /     |               | 8 |
|       | /     |               | 1 |
|       |       | 45t           | 1 |
|       | 122m  | 1.45m         | 1 |
|       | 18m   | 1.95m<br>2.8m | 1 |
|       | 5m    | 2.3m 1.6m     | 1 |
|       | /     |               | 1 |
|       |       | 780MPa        | 1 |
|       |       | 188mm         | 1 |
|       | /     |               | 1 |
|       |       |               |   |
|       | 1#-4# | UCM           | 1 |
|       | /     |               | 1 |
|       | /     |               | 1 |
|       | /     |               | 2 |
|       | /     |               | 2 |
|       | /     |               | 1 |
|       | /     |               | 1 |
|       | /     |               | 1 |

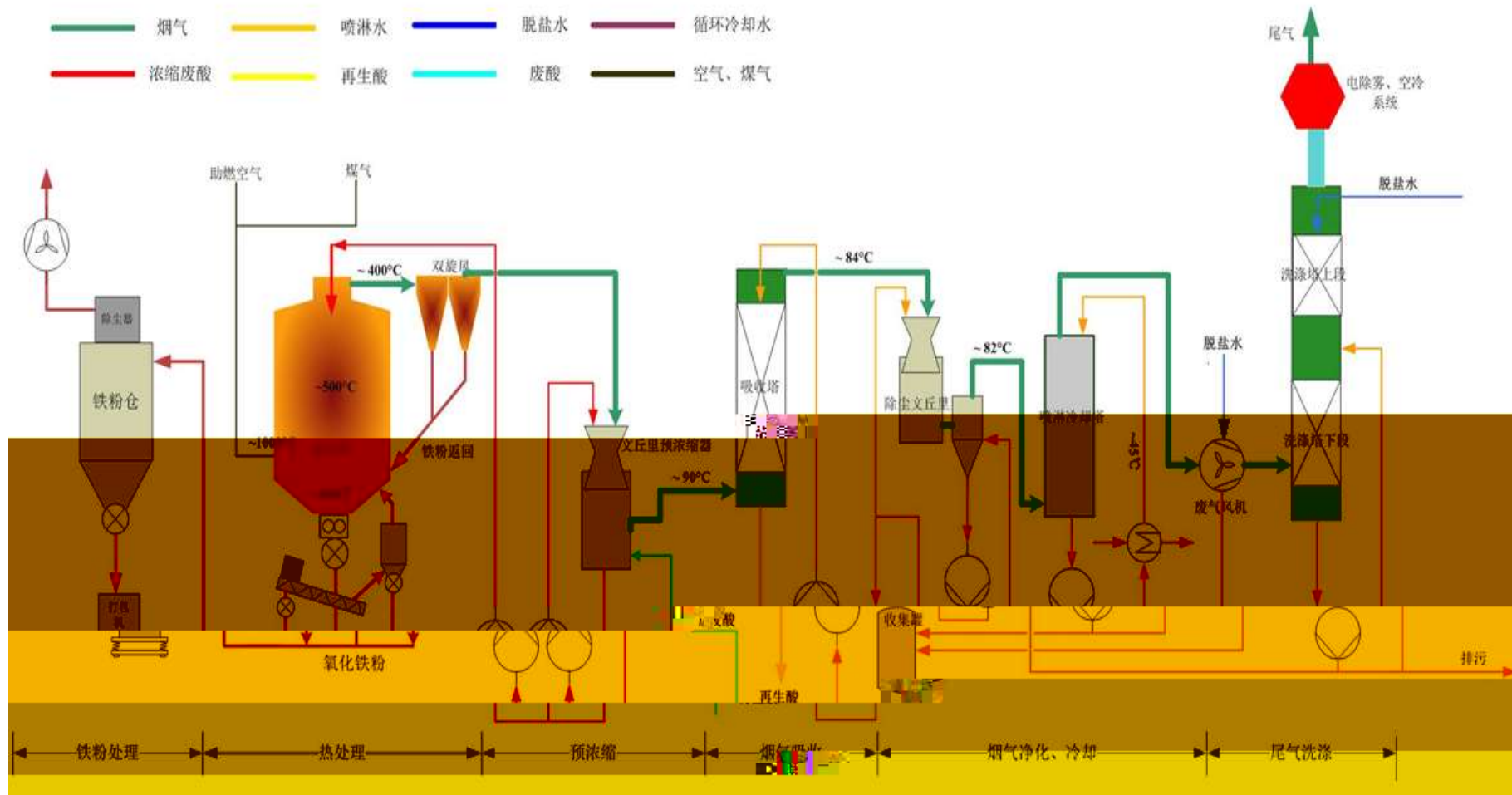
### 3.1.7

#### 3.1.7.1



## 3.1.7.2









## 3.2

### 3.2.1

#### 3.2.1.1

|  |  |  |                                        |        |
|--|--|--|----------------------------------------|--------|
|  |  |  |                                        |        |
|  |  |  | HCl                                    | +30m   |
|  |  |  |                                        | +27m   |
|  |  |  | HCl<br>SO <sub>2</sub> NO <sub>x</sub> | + +40m |
|  |  |  |                                        | +12m   |

## 3.2.1.2

|  |  |           |  |       |      |
|--|--|-----------|--|-------|------|
|  |  |           |  |       |      |
|  |  | 2019.3.28 |  | 14940 | 9.42 |
|  |  |           |  | 16597 | 10.9 |
|  |  |           |  | 12744 | 8.12 |

|  |  |          |  |       |     |      |
|--|--|----------|--|-------|-----|------|
|  |  |          |  |       |     |      |
|  |  | 2019.9.5 |  | 18314 | 2.8 | 18.7 |
|  |  |          |  | 18283 | 3.9 | 20.9 |
|  |  |          |  | 18987 | 3.4 | 20.7 |

|  |  |           |  |      |     |
|--|--|-----------|--|------|-----|
|  |  |           |  |      |     |
|  |  | 2019.5.28 |  | 9751 | 7.8 |
|  |  |           |  | 9288 | 8.4 |
|  |  |           |  | 9012 | 5.6 |

|                      |  |                          |                          |                          |     |
|----------------------|--|--------------------------|--------------------------|--------------------------|-----|
|                      |  |                          |                          |                          |     |
| 2019.10.11~<br>10.12 |  | 0.292~0.324<br>0.07~0.12 | 0.383~0.416<br>0.08~0.17 | 0.331~0.367<br>0.10~0.14 | 5.0 |

### 3.2.1.3

|  |  |   |       |  |       |
|--|--|---|-------|--|-------|
|  |  |   |       |  |       |
|  |  | / | 0.02S |  | 0.02S |
|  |  | / | 8.6   |  | 8.6   |

4#

| 1# |  | 1.5 | HCl             | 12.1 | 0.181 | 1.412 |
|----|--|-----|-----------------|------|-------|-------|
| 2# |  | 24  |                 | 5.3  | 1.066 | 8.316 |
| 3# |  | 1.9 | HCl             | 20.7 | 0.393 | 3.065 |
|    |  |     |                 | 3.8  | 0.071 | 0.556 |
|    |  |     | SO <sub>2</sub> | 35.7 | 0.678 | 5.29  |
|    |  |     | NO <sub>x</sub> | 40.7 | 0.774 | 6.038 |
| 4# |  | 1   |                 | 7.8  | 0.078 | 0.608 |

l

c



Ã

X

G'' 1/2+0 f 51 2<sup>1</sup> H

|     |   |                   |    | M     | P<br>(Pa) | D<br>(m) | H<br>(m) | $\Delta T$ ( ) | F <sub>P</sub> | C          | K <sub>c</sub> | K <sub>N</sub> |
|-----|---|-------------------|----|-------|-----------|----------|----------|----------------|----------------|------------|----------------|----------------|
| 32% | 2 | 150m <sup>3</sup> |    | 36.46 | 3133      | 6        | 5.6      | 12             | 1.25           | 0.88<br>93 | 1              | 1              |
|     |   | 60m <sup>3</sup>  |    |       |           | 4.2      | 4.5      |                |                |            |                |                |
| 18% | 2 | 150m <sup>3</sup> | 80 | 36.46 | 1146      | 6        | 5.6      | 12             | 1.25           | 0.88<br>93 | 1              | 0.2<br>7       |
| 25% | 1 | 40m <sup>3</sup>  |    | 35.05 | 1590      | 3.6      | 4.2      | 12             | 1.25           | 0.58<br>62 | 1              | 1              |

|   |  |      |                 |       |       |
|---|--|------|-----------------|-------|-------|
|   |  |      |                 |       |       |
| 1 |  | 1720 |                 | 2.74  | 24    |
| 2 |  |      |                 | 0.192 | 1.68  |
| 3 |  |      |                 | 0.010 | 0.084 |
| 4 |  |      |                 | 0.017 | 0.15  |
| 5 |  |      | HCl             | 0.046 | 0.402 |
| 6 |  |      | NH <sub>3</sub> | 0.003 | 0.027 |



## 3.2.2

|  |  |  |                              |     |
|--|--|--|------------------------------|-----|
|  |  |  |                              |     |
|  |  |  | pH COD<br>SS                 | 301 |
|  |  |  |                              |     |
|  |  |  | COD SS<br>NH <sub>3</sub> -N |     |

|     |            |     |      |     |
|-----|------------|-----|------|-----|
|     |            |     |      |     |
| 301 | 2018-10-30 | pH  | 7.27 | 6~9 |
|     |            | COD | 33   | 70  |
|     |            |     | 8    | 30  |
|     |            |     | 1    | 5   |
|     |            |     | 0.06 | 3   |

|                    |  | 288m <sup>3</sup> /d |        | 301 |  |       |
|--------------------|--|----------------------|--------|-----|--|-------|
|                    |  | pH                   | 2~4    |     |  |       |
|                    |  | COD                  | 1500   |     |  | 0.432 |
|                    |  | SS                   | 800    |     |  | 0.230 |
|                    |  |                      | 2000   |     |  | 0.576 |
|                    |  | 192m <sup>3</sup> /d |        |     |  |       |
|                    |  | COD                  | 8000   |     |  | 1.536 |
|                    |  | SS                   | 3000   |     |  | 0.576 |
|                    |  |                      | 15000  |     |  | 2.88  |
|                    |  | 8m <sup>3</sup> /d   |        |     |  |       |
| COD                |  | 350                  | 0.003  |     |  |       |
| NH <sub>3</sub> -N |  | 25                   | 0.0002 |     |  |       |
| SS                 |  | 250                  | 0.002  |     |  |       |

### 3.2.3

20~25dB(A)

## 3.2.4

GB34330-2017

2016

|   |  |  |       |  |  |
|---|--|--|-------|--|--|
|   |  |  |       |  |  |
| 1 |  |  | 62000 |  |  |
| 2 |  |  | 10000 |  |  |
| 3 |  |  | 18.25 |  |  |

|   |  |      |     |  |  |  |  |   |      |  |
|---|--|------|-----|--|--|--|--|---|------|--|
|   |  |      |     |  |  |  |  |   |      |  |
| 1 |  | HW08 | 320 |  |  |  |  | 3 | T I  |  |
| 2 |  | HW49 | 150 |  |  |  |  |   | T/In |  |
| 3 |  | HW49 | 2.5 |  |  |  |  |   | T/In |  |
| 4 |  | HW08 | 25  |  |  |  |  |   | T I  |  |
| 5 |  | HW49 | 0.5 |  |  |  |  |   | T/In |  |
| 5 |  | HW17 | 800 |  |  |  |  |   | T/C  |  |

## 3.2.5

|  |  |                 |                        |
|--|--|-----------------|------------------------|
|  |  |                 |                        |
|  |  | HCl             | 4.477                  |
|  |  |                 | 8.316                  |
|  |  |                 | 1.164                  |
|  |  | SO <sub>2</sub> | 5.29                   |
|  |  | NO <sub>x</sub> | 6.038                  |
|  |  |                 | 16.834                 |
|  |  |                 | 1.68                   |
|  |  | HCl             | 0.402                  |
|  |  | NH <sub>3</sub> | 0.027                  |
|  |  |                 | 0 480m <sup>3</sup> /d |
|  |  |                 | 0 8m <sup>3</sup> /d   |
|  |  |                 | 0 1273                 |
|  |  |                 | 0 72000                |
|  |  |                 | 0 18.25                |

## 3.3

## 4

### 4.1

#### 4.1.1

#### 4.1.2

| CQ   | 106.96 | 77.2  | /                            |
|------|--------|-------|------------------------------|
| DQ   | 19.86  | 15.0  | /                            |
| DDQ  | 15.28  | 12.0  | /                            |
| HSLA | 10.70  | 16.0  | 340                          |
| DP   | /      | 5.0   | 590 TS 780                   |
|      | /      | 27.0  | 50W1300/50W800/50W600/50W470 |
|      | 152.8  | 152.8 | /                            |

---

|            |            |          |            |
|------------|------------|----------|------------|
|            |            |          |            |
| 0.3~2.5mm  | 900~1575mm | 610mm    | Max.1900mm |
|            |            |          |            |
| Max.28.35t | CQ<br>HSLA | DQ<br>DP | DDQ        |

|  |          |          |        |       |  |
|--|----------|----------|--------|-------|--|
|  |          |          |        |       |  |
|  | 1600000t | 1528000t | 72000t | 95.5% |  |

### 4.1.3

|  |      |                    |                    |                       |                                            |
|--|------|--------------------|--------------------|-----------------------|--------------------------------------------|
|  |      |                    |                    |                       |                                            |
|  |      |                    |                    |                       |                                            |
|  | 1720 | 7530m <sup>2</sup> | 1                  | 1720                  | -                                          |
|  |      |                    |                    | 152.8                 | t                                          |
|  |      |                    |                    |                       | 1720                                       |
|  |      |                    |                    |                       | 1# 2# 3#                                   |
|  |      |                    | 1800m <sup>2</sup> | 1                     |                                            |
|  |      |                    |                    | 18m <sup>3</sup> /min | /                                          |
|  |      | 1720               |                    |                       | /                                          |
|  |      |                    |                    | 8.5m <sup>3</sup> /h  | /                                          |
|  |      |                    |                    | 1200m <sup>2</sup>    | /                                          |
|  |      |                    | 5400m <sup>2</sup> |                       | /                                          |
|  |      |                    | 3900m <sup>2</sup> |                       | /                                          |
|  |      |                    | 200m <sup>2</sup>  |                       | /                                          |
|  |      |                    |                    | 3000m <sup>3</sup>    | /                                          |
|  |      |                    |                    | 25m <sup>3</sup> /h   | /                                          |
|  |      |                    | 301                | 1560m <sup>3</sup> /h | 273m <sup>3</sup> /h 1833m <sup>3</sup> /h |
|  |      |                    |                    | 20m <sup>3</sup> /h   | /                                          |



|  |     |                        |                                            |
|--|-----|------------------------|--------------------------------------------|
|  |     | 8m <sup>3</sup> /d     |                                            |
|  | 2   | 7800 kWh               | 1500 kWh 9300 kWh                          |
|  |     | 6.5t/h 80              | /                                          |
|  |     | 6450m <sup>3</sup> /h  | 660m <sup>3</sup> /h 7110m <sup>3</sup> /h |
|  |     | 1200m <sup>3</sup> /h  | /                                          |
|  |     | + +30m                 | /                                          |
|  |     | + +27m                 | /                                          |
|  |     | + + +40m<br>+ +12m 1 1 | /                                          |
|  |     | +                      |                                            |
|  |     |                        | +25m +                                     |
|  | 301 |                        | /                                          |
|  |     |                        |                                            |
|  |     |                        | /                                          |

### 4.1.4



|  |  |  |  |  |  |
|--|--|--|--|--|--|
|  |  |  |  |  |  |
|--|--|--|--|--|--|

## 4.1.5

|       |                 |   |  |                                             |   |        |
|-------|-----------------|---|--|---------------------------------------------|---|--------|
|       |                 |   |  |                                             |   |        |
| 1# 2# | 39m<br>4×28t    | 2 |  | 39m<br>4×28t                                | 2 |        |
| 3#    | 4               | 1 |  | 4                                           | 1 |        |
|       | 122m<br>1.45m   | 1 |  | 122m<br>1.45m                               | 1 | 6 IBOX |
|       | 1#-4# UCM       | 1 |  | 1#-2# UCMW<br>3# HYPER<br>UC-MILL 4#<br>UCM | 1 | 1#~3#  |
|       | NMW-C           | 1 |  | C                                           | 1 |        |
|       |                 | 1 |  |                                             | 1 |        |
|       |                 |   |  | /                                           | 1 |        |
|       |                 |   |  |                                             | 1 |        |
|       |                 |   |  | /                                           | 2 |        |
|       |                 |   |  | 6mm                                         | 1 |        |
|       |                 |   |  |                                             | 1 |        |
|       |                 |   |  | /                                           | 1 |        |
|       |                 |   |  | /                                           | 2 |        |
|       |                 |   |  | 5m <sup>3</sup>                             | 4 |        |
|       |                 |   |  | 40m <sup>3</sup>                            | 1 |        |
|       |                 | 6 |  |                                             | 6 |        |
|       | R340mm          | 1 |  | R340mm                                      | 1 |        |
| 1#    |                 | 1 |  |                                             | 1 |        |
|       | 5m 2.3m<br>1.6m | 1 |  | 5m 2.3m<br>1.6m                             | 1 |        |
|       | /               | 1 |  | /                                           | 1 |        |
|       |                 | 1 |  | 188mm                                       | 1 |        |
|       | /               | 1 |  | /                                           | 1 |        |
|       | /               | 1 |  | /                                           | 1 |        |
| 1# 2# | /               | 2 |  | /                                           | 2 |        |
|       | /               | 2 |  | /                                           | 2 |        |
|       | /               | 2 |  | /                                           | 2 |        |

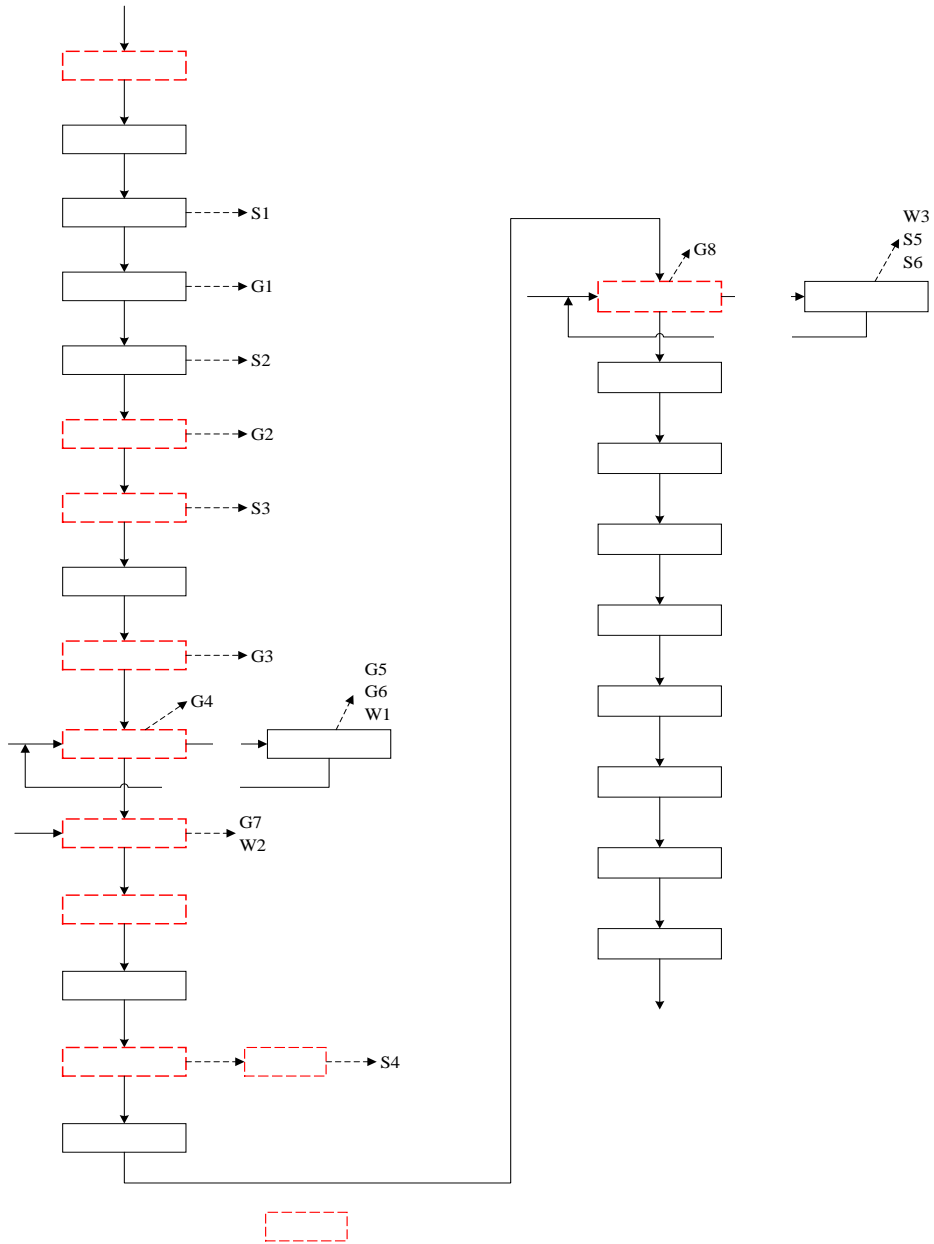
|  |     |   |  |     |   |  |
|--|-----|---|--|-----|---|--|
|  | 1m  | 1 |  | 1m  | 1 |  |
|  | /   | 2 |  | /   | 2 |  |
|  | /   | 1 |  | /   | 1 |  |
|  | /   | 8 |  | /   | 8 |  |
|  | /   | 1 |  | /   | 1 |  |
|  | 18m | 1 |  | 18m | 1 |  |
|  | /   | 1 |  | /   | 1 |  |
|  | /   | 1 |  | /   | 1 |  |
|  | /   | 1 |  | /   | 1 |  |
|  | /   | 1 |  | /   | 1 |  |
|  | /   | 2 |  | /   | 2 |  |
|  | /   | 2 |  | /   | 2 |  |
|  | /   | 1 |  | /   | 1 |  |
|  | /   | 1 |  | /   | 1 |  |
|  |     | 1 |  |     | 1 |  |

#### 4.1.6

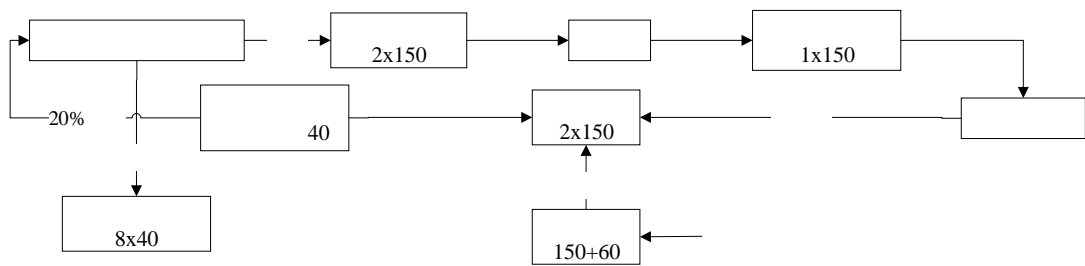
#### 4.1.7

## **4.2**

### **4.2.1**





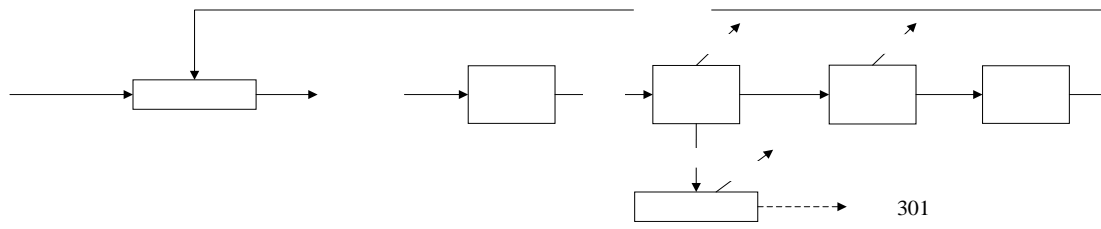






× ×



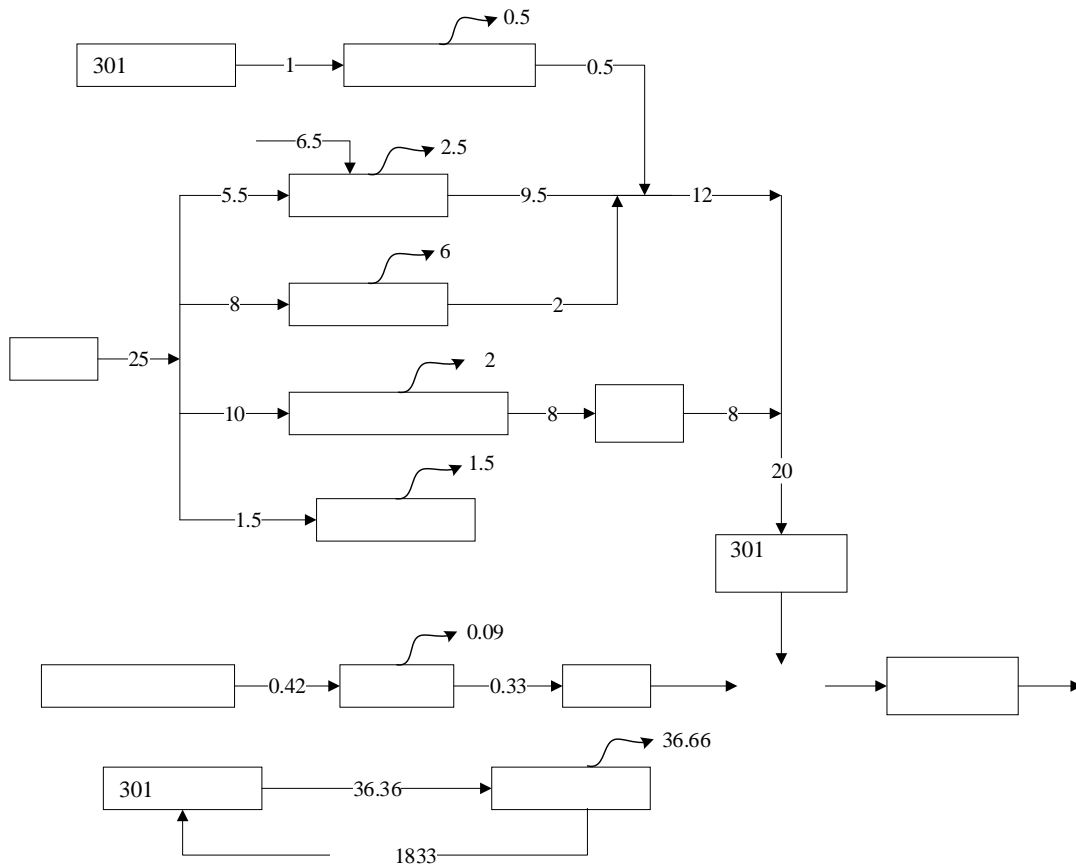




## 4.2.1.1

|                |                                |                |  |                                     |
|----------------|--------------------------------|----------------|--|-------------------------------------|
|                |                                |                |  |                                     |
|                | G <sub>1</sub>                 |                |  |                                     |
|                | G <sub>2</sub>                 |                |  |                                     |
|                | G <sub>3</sub>                 |                |  |                                     |
|                | G <sub>4</sub> G <sub>7</sub>  |                |  | HCl                                 |
|                | G <sub>5</sub>                 |                |  | HCl SO <sub>2</sub> NO <sub>x</sub> |
|                | G <sub>6</sub>                 |                |  |                                     |
|                | G <sub>8</sub>                 |                |  |                                     |
|                |                                | W <sub>1</sub> |  |                                     |
| W <sub>2</sub> |                                |                |  |                                     |
| W <sub>3</sub> |                                |                |  | COD                                 |
|                | S <sub>1</sub> ~S <sub>4</sub> |                |  |                                     |
|                | S <sub>5</sub>                 |                |  |                                     |
|                | S <sub>6</sub>                 |                |  |                                     |

## 4.2.2



## 4.3

### 4.3.1

#### 4.3.1.1

1

---

|  |    |  |        |        |       |  |           |     |       |       |         |
|--|----|--|--------|--------|-------|--|-----------|-----|-------|-------|---------|
|  |    |  |        |        |       |  |           |     |       |       |         |
|  |    |  |        |        |       |  |           |     |       |       |         |
|  | 10 |  | 203.07 | 20.307 | 158.4 |  | 99.6<br>% | 0.8 | 0.081 | 0.634 | 25<br>m |

**4.3.1.2**



|    |  |                 |       |
|----|--|-----------------|-------|
|    |  |                 |       |
| 1# |  | HCl             | 1.412 |
| 2# |  |                 | 8.316 |
| 3# |  | HCl             | 3.065 |
|    |  |                 | 0.556 |
|    |  | SO <sub>2</sub> | 5.29  |
|    |  | NO <sub>x</sub> | 6.038 |
| 4# |  |                 | 0.608 |
| 5# |  |                 | 0.634 |

|   |  |                 |       |
|---|--|-----------------|-------|
|   |  |                 |       |
| 1 |  |                 | 0.02  |
| 2 |  |                 | 0.24  |
| 3 |  |                 | 0.75  |
| 4 |  |                 | 1.68  |
| 5 |  | HCl             | 0.402 |
| 6 |  | NH <sub>3</sub> | 0.027 |

## 4.3.2

|  |  |                    |                      |        |     |
|--|--|--------------------|----------------------|--------|-----|
|  |  |                    |                      |        |     |
|  |  |                    | 288m <sup>3</sup> /d |        | 301 |
|  |  | pH                 | 2~4                  |        |     |
|  |  | COD                | 1500                 | 0.432  |     |
|  |  | SS                 | 800                  | 0.230  |     |
|  |  |                    | 2000                 | 0.576  |     |
|  |  |                    | 192m <sup>3</sup> /d |        |     |
|  |  | COD                | 8000                 | 1.536  |     |
|  |  | SS                 | 3000                 | 0.576  |     |
|  |  |                    | 15000                | 2.88   |     |
|  |  |                    | 8m <sup>3</sup> /d   |        |     |
|  |  | COD                | 350                  | 0.003  |     |
|  |  | NH <sub>3</sub> -N | 25                   | 0.0002 |     |
|  |  | SS                 | 250                  | 0.002  |     |

## 4.3.3

## 4.3.4

|   |   |  |       |  |  |
|---|---|--|-------|--|--|
| 1 |   |  | 62000 |  |  |
| 2 |   |  | 10000 |  |  |
| 3 | / |  | 18.25 |  |  |
| 4 |   |  | 320   |  |  |
| 5 |   |  | 150   |  |  |
| 6 |   |  | 2.5   |  |  |
| 7 |   |  | 25    |  |  |
| 8 |   |  | 0.5   |  |  |
| 9 |   |  | 800   |  |  |

### 4.3.5

#### 4.3.5.1

|  |  |       |         |       |
|--|--|-------|---------|-------|
|  |  |       |         |       |
|  |  | 158.4 | 157.766 | 0.634 |

#### 4.3.5.2

|  |  |                    |       |     |
|--|--|--------------------|-------|-----|
|  |  |                    |       |     |
|  |  | HCl                | 1.412 |     |
|  |  |                    | 8.316 |     |
|  |  | HCl                | 3.065 |     |
|  |  |                    | 0.556 |     |
|  |  | SO <sub>2</sub>    | 5.29  |     |
|  |  | NO <sub>x</sub>    | 6.038 |     |
|  |  |                    | 0.608 |     |
|  |  |                    | 0.634 |     |
|  |  |                    | 0.24  | " " |
|  |  |                    | 0.02  |     |
|  |  |                    | 1.68  |     |
|  |  |                    | 0.75  |     |
|  |  | HCl                | 0.402 |     |
|  |  | NH <sub>3</sub>    | 0.027 |     |
|  |  | COD                | 0     |     |
|  |  | NH <sub>3</sub> -N | 0     |     |
|  |  |                    | 0     |     |
|  |  |                    | 0     |     |

## 4.3.5.3 "

|  |  |  |        |      |               |
|--|--|--|--------|------|---------------|
|  |  |  |        |      | " "           |
|  |  |  | 16     | 0.24 | 15.76         |
|  |  |  | 0.084  | 0.02 | 0.064         |
|  |  |  | 16.084 | 0.26 | <b>15.824</b> |

## 4.3.6

" "

## 4.3-9

t/a

|  |                 |                        |       |        |       |         |
|--|-----------------|------------------------|-------|--------|-------|---------|
|  |                 |                        |       |        |       |         |
|  | HCl             | 4.477                  | 0     | 0      | 4.477 | 0       |
|  |                 | 8.316                  | 0     | 0      | 8.316 | 0       |
|  |                 | 1.164                  | 0.634 | 0      | 1.798 | +0.634  |
|  | SO <sub>2</sub> | 5.29                   | 0     | 0      | 5.29  | 0       |
|  | NO <sub>x</sub> | 6.038                  | 0     | 0      | 6.038 | 0       |
|  |                 | 16.834                 | 0     | 15.824 | 1.01  | -15.824 |
|  |                 | 1.68                   | 0     | 0      | 1.68  | 0       |
|  | HCl             | 0.402                  | 0     | 0      | 0.402 | 0       |
|  | NH <sub>3</sub> | 0.027                  | 0     | 0      | 0.027 | 0       |
|  |                 | 0 8m <sup>3</sup> /d   | 0     | 0      | 0     | 0       |
|  |                 | 0 480m <sup>3</sup> /d | 0     | 0      | 0     | 0       |
|  |                 | 0 72000                | 0     | 0      | 0     | 0       |
|  |                 | 0 1273                 | 0     | 0      | 0     | 0       |
|  |                 | 0 18.25                | 0     | 0      | 0     | 0       |

## **4.4**

### **4.4.1**

### **4.4.2**

### **4.4.3**

#### 4.4.4

# 5

## 5.1

### 5.1.1

- 
- 
- 
- 

### 5.1.2

10m

150-250m

458.9m

120m

15-60m

### 5.1.4



## 5.1.5

### 5.1.7

## 5.2

### 5.2.1

|   |  |   |             |
|---|--|---|-------------|
|   |  |   |             |
| 1 |  |   | GB3095-2012 |
| 2 |  |   | GB3838-2002 |
| 3 |  | 3 | GB3096-2008 |

### 5.2.2

## 5.3

### 5.3.1

#### 5.3.1.1

|      |    |      |     |                   |                  |
|------|----|------|-----|-------------------|------------------|
| 2018 |    | AQI  | 27  | 265               |                  |
| 57   |    | 200  |     |                   | 71.4%            |
|      |    | 5.8  |     | PM <sub>2.5</sub> | 45               |
| /    |    |      |     | 10.0%             | PM <sub>10</sub> |
| 75   | /  |      |     |                   | 9.6%             |
| 15   | /  |      |     |                   | 11.8%            |
|      | 37 | /    |     |                   | 5.1%             |
|      | 95 |      | 1.7 | /                 |                  |
| 5.6% | 8  |      | 90  |                   | 183 /            |
|      |    | 2.7% |     | 3.90%             | pH               |
|      |    |      |     |                   | 6.11             |

---

|                   |      |      |      |      |  |
|-------------------|------|------|------|------|--|
|                   |      |      |      |      |  |
| SO <sub>2</sub>   |      | 15   | 60   | 0    |  |
| NO <sub>2</sub>   |      | 37   | 40   | 0    |  |
| PM <sub>10</sub>  |      | 75   | 70   | 0.07 |  |
| PM <sub>2.5</sub> |      | 45   | 35   | 0.29 |  |
| CO                | 95   | 1700 | 4000 | 0    |  |
| O <sub>3</sub>    | 8 90 | 183  | 160  | 0.14 |  |

### 5.3.1.2

| G1 | SO <sub>2</sub>   | 7  | 15 | 0 | 0.03 | 9   | 13  | 0 | 0.09 |
|----|-------------------|----|----|---|------|-----|-----|---|------|
|    | NO <sub>2</sub>   | 14 | 35 | 0 | 0.18 | 23  | 26  | 0 | 0.33 |
|    | PM <sub>2.5</sub> | /  | /  | / | /    | 48  | 60  | 0 | 0.80 |
|    | PM <sub>10</sub>  | /  | /  | / | /    | 81  | 89  | 0 | 0.59 |
|    | TSP               | /  | /  | / | /    | 118 | 124 | 0 | 0.41 |
|    | HCl               | 20 | 20 | 0 | 0.40 | /   | /   | / | /    |
|    | NH <sub>3</sub>   | 10 | 30 | 0 | 0.15 | /   | /   | / | /    |
| G2 | SO <sub>2</sub>   | 8  | 20 | 0 | 0.04 | 12  | 15  | 0 | 0.10 |
|    | NO <sub>2</sub>   | 15 | 37 |   | 0.19 | 24  | 28  | 0 | 0.35 |
|    | PM <sub>2.5</sub> | /  | /  | / | /    | 47  | 60  | 0 | 0.80 |
|    | PM <sub>10</sub>  | /  | /  | / | /    | 80  | 90  | 0 | 0.60 |
|    | TSP               | /  | /  | / | /    | 117 | 124 | 0 | 0.41 |
|    | HCl               | 20 | 20 | 0 | 0.40 | /   | /   | / | /    |
|    | NH <sub>3</sub>   | 30 | 60 | 0 | 0.30 | /   | /   | / | /    |

### 5.3.2

|    |  |       |  |                                    |
|----|--|-------|--|------------------------------------|
|    |  |       |  |                                    |
| W1 |  | 500m  |  | pH COD NH <sub>3</sub> -N<br>SS TP |
| W2 |  | 1000m |  |                                    |
| W3 |  | 2500m |  |                                    |

$$S_{\text{pH}_j} = \frac{7.0 - \text{pH}_j}{7.0 - \text{pH}_{\text{sd}}} \quad \text{pH}_j \leq 7.0$$

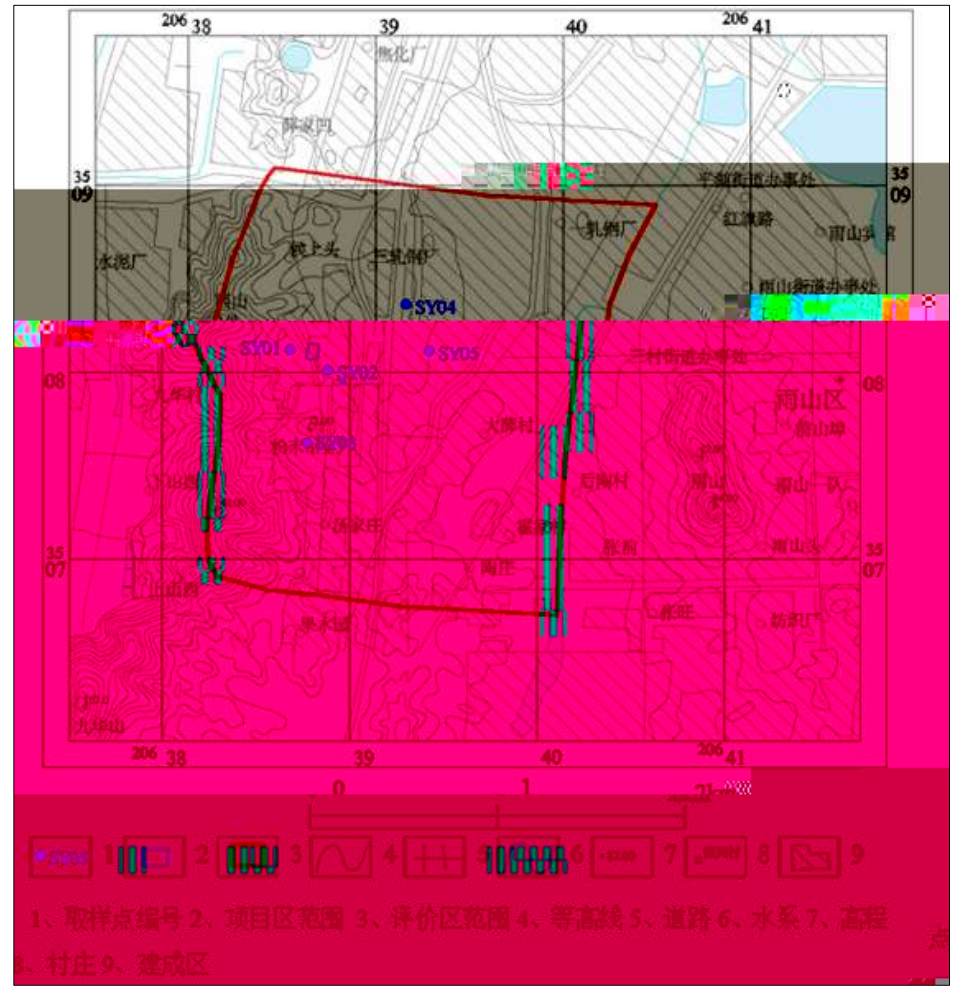
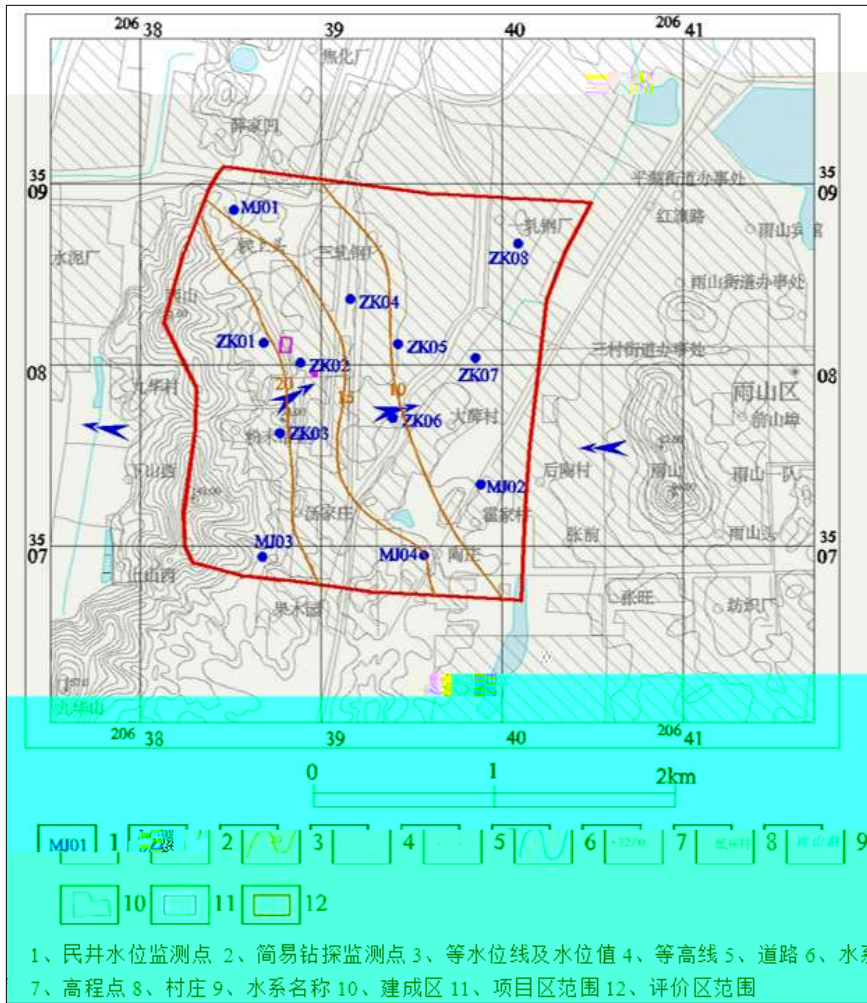
$$S_{\text{pH}_j} = \frac{\text{pH}_j - 7.0}{\text{pH}_{\text{su}} - 7.0} \quad \text{pH}_j > 7.0$$

|    |     |      |       |      |       |       |      |       |
|----|-----|------|-------|------|-------|-------|------|-------|
|    |     |      |       |      |       |       |      |       |
| W1 |     | 7.15 | 10    | 0.47 | 13    | 0.04  | 0.02 | 22.1  |
|    |     | 7.26 | 12    | 0.49 | 14    | 0.05  | 0.04 | 23.7  |
|    |     | 7.21 | 11.00 | 0.48 | 13.50 | 0.045 | 0.03 | 22.90 |
|    |     | 0.10 | 0.55  | 0.48 | 0.45  | 0.225 | 0.6  | /     |
|    | (%) | 0    | 0     | 0    | 0     | 0     | 0    | /     |
| W2 |     | 7.19 | 15    | 0.53 | 16    | 0.07  | 0.02 | 24.2  |
|    |     | 7.24 | 16    | 0.56 | 18    | 0.08  | 0.04 | 25.1  |
|    |     | 7.22 | 15.50 | 0.55 | 17.00 | 0.075 | 0.03 | 24.65 |
|    |     | 0.11 | 0.78  | 0.55 | 0.57  | 0.38  | 0.60 | /     |
|    | (%) | 0    | 0     | 0    | 0     | 0     | 0    | /     |
| W3 |     | 7.20 | 12    | 0.50 | 14    | 0.05  | 0.02 | 22.3  |
|    |     | 7.24 | 14    | 0.52 | 16    | 0.08  | 0.03 | 23.4  |
|    |     | 7.22 | 13.00 | 0.51 | 15.00 | 0.07  | 0.03 | 22.85 |
|    |     | 0.11 | 0.65  | 0.51 | 0.50  | 0.33  | 0.50 | /     |
|    | (%) | 0    | 0     | 0    | 0     | 0     | 0    | /     |

### 5.3.3







|      |  |   |    |  |
|------|--|---|----|--|
|      |  |   |    |  |
| SY01 |  |   | 10 |  |
| SY02 |  | - | 10 |  |
| SY03 |  |   | 10 |  |
| SY04 |  |   | 10 |  |
| SY05 |  |   | 10 |  |

|      |             |            |      |      |  |     |      |
|------|-------------|------------|------|------|--|-----|------|
|      |             |            |      |      |  |     |      |
|      |             |            |      |      |  |     |      |
| MJ01 | 20638467.11 | 3508987.12 | 12.5 | 5    |  | 1.1 | 11.4 |
| MJ02 | 20639831.76 | 3507356.43 | 9.8  | 6    |  | 1.5 | 8.3  |
| MJ03 | 20638677.16 | 3506965.45 | 24.6 | 8.0  |  | 2.8 | 21.8 |
| MJ04 | 20639518.78 | 3506961.95 | 16.6 | 8.0  |  | 1.5 | 15.1 |
| ZK01 | 20638626.95 | 3508124.13 | 22.6 | 10.0 |  | 2   | 20.6 |
| ZK02 | 20638833.60 | 3508025.07 | 18.9 | 10.0 |  | 2   | 16.9 |
| ZK03 | 20638713.82 | 3507580.02 | 22.5 | 10.0 |  | 1.8 | 20.7 |
| ZK04 | 20639113.83 | 3508369.05 | 15.8 | 10.0 |  | 1.6 | 14.2 |
| ZK05 | 20639368.57 | 3508122.29 | 10.5 | 10.0 |  | 1.3 | 9.2  |
| ZK06 | 20639345.39 | 3507717.21 | 11.5 | 10.0 |  | 1.2 | 10.3 |
| ZK07 | 20639805.30 | 3508053.08 | 8.9  | 10.0 |  | 1.3 | 7.6  |
| ZK08 | 20640039.97 | 3508682.16 | 8.0  | 10.0 |  | 1.2 | 6.8  |

|  |  |  |  |  |  |  |  |  |
|--|--|--|--|--|--|--|--|--|
|  |  |  |  |  |  |  |  |  |
|  |  |  |  |  |  |  |  |  |
|  |  |  |  |  |  |  |  |  |
|  |  |  |  |  |  |  |  |  |
|  |  |  |  |  |  |  |  |  |
|  |  |  |  |  |  |  |  |  |
|  |  |  |  |  |  |  |  |  |

|      |         |        |       |       |       |       |       |      |         |        |         |         |         |         |      |        |      |       |  |
|------|---------|--------|-------|-------|-------|-------|-------|------|---------|--------|---------|---------|---------|---------|------|--------|------|-------|--|
|      |         |        |       |       |       |       |       |      |         |        |         |         |         |         |      |        |      |       |  |
| SY01 | 7.36    | 281.36 | 36.12 | 0.046 | 4.14  | 0.18  | 56.39 | 0.21 | 0.00089 | <0.004 | 0.00082 | <0.0001 | 0.00215 | 0.00652 | 2.61 | <0.002 | 471  | 0.045 |  |
| SY02 | 7.50    | 287.23 | 72.08 | 0.05  | 0.946 | <0.04 | 82.63 | 0.21 | <0.0005 | <0.004 | 0.00053 | <0.0001 | 0.00315 | 0.00122 | 1.70 | <0.002 | 516  | 0.038 |  |
| SY03 | 7.49    | 127.41 | 54.07 | 0.032 | 0.402 | 0.19  | 38.87 | 0.34 | <0.0005 | 0.0073 | 0.00050 | <0.0001 | 0.00841 | 0.0032  | 2.56 | <0.002 | 255  | 0.04  |  |
| SY04 | 7.45    | 153.14 | 55.06 | 0.004 | 0.395 | 0.15  | 42.19 | 0.32 | <0.0005 | 0.0063 | 0.00030 | <0.0001 | 0.00072 | 0.0028  | 2.21 | <0.002 | 270  | 0.018 |  |
| SY05 | 7.48    | 139.03 | 50.06 | 0.004 | 0.361 | 0.15  | 40.19 | 0.32 | <0.0005 | <0.004 | 0.00078 | <0.0001 | 0.0012  | 0.0035  | 1.84 | <0.002 | 250  | 0.025 |  |
|      | 6.5~8.5 |        |       |       |       |       |       |      |         |        |         |         | 0.01    | 0.01    | 3.0  |        | 1000 | 0.05  |  |

|      |      |  |  |  |  |  |  |  |  |  |  |  |  |  |  |  |  |  |  |
|------|------|--|--|--|--|--|--|--|--|--|--|--|--|--|--|--|--|--|--|
|      |      |  |  |  |  |  |  |  |  |  |  |  |  |  |  |  |  |  |  |
|      |      |  |  |  |  |  |  |  |  |  |  |  |  |  |  |  |  |  |  |
| SY01 | 0.24 |  |  |  |  |  |  |  |  |  |  |  |  |  |  |  |  |  |  |
| SY02 | 0.33 |  |  |  |  |  |  |  |  |  |  |  |  |  |  |  |  |  |  |
| SY03 | 0.33 |  |  |  |  |  |  |  |  |  |  |  |  |  |  |  |  |  |  |
| SY04 | 0.30 |  |  |  |  |  |  |  |  |  |  |  |  |  |  |  |  |  |  |
| SY05 | 0.32 |  |  |  |  |  |  |  |  |  |  |  |  |  |  |  |  |  |  |

## 5.3.4

A

|    |  |      |      |    |  |
|----|--|------|------|----|--|
|    |  |      |      |    |  |
| N1 |  | 55.2 | 54.5 | 65 |  |
| N2 |  | 54.1 | 53.8 |    |  |
| N3 |  | 54.6 | 54.0 |    |  |
| N4 |  | 55.0 | 54.2 |    |  |
| N5 |  | 55.5 | 54.7 |    |  |
| N1 |  | 45.3 | 44.4 | 55 |  |
| N2 |  | 44.5 | 44.0 |    |  |
| N3 |  | 44.7 | 44.1 |    |  |
| N4 |  | 45.1 | 44.3 |    |  |
| N5 |  | 45.6 | 44.6 |    |  |

GB3096-2008

3

## 5.3.5

|          |        |        |        |      |
|----------|--------|--------|--------|------|
|          |        |        |        |      |
| pH       | 6.84   | 6.90   | 6.88   | /    |
|          | 89     | 84     | 79     | 4500 |
| mg/kg    |        |        |        |      |
|          | 18.2   | 18.5   | 17.6   | 60   |
|          | 0.19   | 0.16   | 0.14   | 65   |
|          | 3.96   | 3.58   | 3.88   | 5.7  |
|          | 36     | 33     | 37     | 2000 |
|          | 34.8   | 33.2   | 35.7   | 400  |
|          | 0.0300 | 0.0384 | 0.0327 | 38   |
|          | 46     | 38     | 43     | 900  |
|          | <1.3   | <1.3   | <1.3   | 2.8  |
|          | <1.1   | <1.1   | <1.1   | 0.9  |
|          | <1.0   | <1.0   | <1.0   | 37   |
| 1,1-     | <1.2   | <1.2   | <1.2   | 9    |
| 1,2-     | <1.3   | <1.3   | <1.3   | 5    |
| 1,1-     | <1.2   | <1.2   | <1.2   | 66   |
| -1,2-    | <1.3   | <1.3   | <1.3   | 596  |
| -1,2-    | <1.4   | <1.4   | <1.4   | 54   |
|          | <1.5   | <1.5   | <1.5   | 616  |
| 1,2      | <1.1   | <1.1   | <1.1   | 5    |
| 1,1,1,2- | <1.2   | <1.2   | <1.2   | 10   |
| 1,1,2,2- | <1.2   | <1.2   | <1.2   | 6.8  |
|          | <1.4   | <1.4   | <1.4   | 53   |
| 1,1,1-   | <1.3   | <1.3   | <1.3   | 840  |
| 1,1,2-   | <1.2   | <1.2   | <1.2   | 2.8  |
|          | <1.2   | <1.2   | <1.2   | 2.8  |

|        |       |       |       |      |
|--------|-------|-------|-------|------|
| 1,2,3- | <1.2  | <1.2  | <1.2  | 0.5  |
|        | <1.0  | <1.0  | <1.0  | 0.43 |
|        | <1.9  | <1.9  | <1.9  | 4    |
|        | <1.2  | <1.2  | <1.2  | 270  |
| 1,2-   | <1.5  | <1.5  | <1.5  | 560  |
| 1,4-   | <1.5  | <1.5  | <1.5  | 20   |
|        | <1.2  | <1.2  | <1.2  | 28   |
|        | <1.1  | <1.1  | <1.1  | 1290 |
|        | <1.3  | <1.3  | <1.3  | 1200 |
| +      | <1.2  | <1.2  | <1.2  | 570  |
|        | <1.2  | <1.2  | <1.2  | 640  |
| mg/kg  |       |       |       |      |
|        | <0.09 | <0.09 | <0.09 | 76   |
|        | <0.06 | <0.06 | <0.06 | 260  |
| 2-     | <1.2  | <1.2  | <1.2  | 2256 |
| [a]    | <0.1  | <0.1  | <0.1  | 15   |
| [a]    | <0.1  | <0.1  | <0.1  | 1.5  |
| [b]    | <0.2  | <0.2  | <0.2  | 15   |
| [k]    | <0.1  | <0.1  | <0.1  | 151  |
|        | <0.1  |       |       |      |

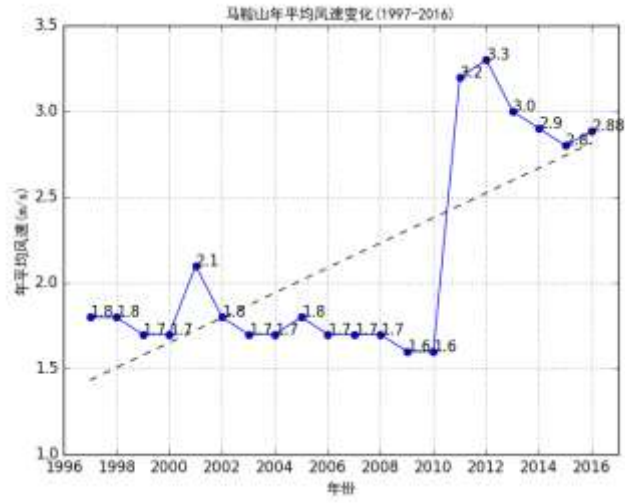
|             |    |    |    |
|-------------|----|----|----|
| -1,2-       | ND | ND | ND |
|             | ND | ND | ND |
| 1,2         | ND | ND | ND |
| 1,1,1,2-    | ND | ND | ND |
| 1,1,2,2-    | ND | ND | ND |
|             | ND | ND | ND |
| 1,1,1-      | ND | ND | ND |
| 1,1,2-      | ND | ND | ND |
|             | ND | ND | ND |
| 1,2,3-      | ND | ND | ND |
|             | ND | ND | ND |
|             | ND | ND | ND |
|             | ND | ND | ND |
| 1,2-        | ND | ND | ND |
| 1,4-        | ND | ND | ND |
|             | ND | ND | ND |
|             | ND | ND | ND |
|             | ND | ND | ND |
| +           | ND | ND | ND |
|             | ND | ND | ND |
|             | ND | ND | ND |
|             | ND | ND | ND |
| 2-          | ND | ND | ND |
| [a]         | ND | ND | ND |
| [a]         | ND | ND | ND |
| [b]         | ND | ND | ND |
| [k]         | ND | ND | ND |
|             | ND | ND | ND |
| [a h]       | ND | ND | ND |
| [1 2 3-c d] | ND | ND | ND |
|             | ND | ND | ND |

**6****6.1****6.2****6.2.1****6.2.1.1**

|  |      |            |       |
|--|------|------------|-------|
|  |      |            |       |
|  | 16.9 |            |       |
|  | 38.1 | 2013-08-11 | 42.0  |
|  | -6.1 | 2016-01-24 | -10.3 |
|  | hPa  | 1011.6     |       |
|  | hPa  | 15.8       |       |
|  | %    | 72.5       |       |
|  | mm   | 1148.8     |       |







## 6.2.2

|  |        |         |    |    |     |      |    |      |       |
|--|--------|---------|----|----|-----|------|----|------|-------|
|  |        |         |    |    |     |      |    |      |       |
|  |        |         |    |    |     |      |    |      |       |
|  | 639118 | 3506426 | 18 | 25 | 1.5 | 17.2 | 25 | 7800 | 0.081 |

|  |        |         |    |    |     |      |    |      |        |
|--|--------|---------|----|----|-----|------|----|------|--------|
|  |        |         |    |    |     |      |    |      |        |
|  |        |         |    |    |     |      |    |      |        |
|  | 639118 | 3506426 | 18 | 25 | 1.5 | 17.2 | 25 | 7800 | 20.307 |

|      |        |         |    |     |    |    |      |  |      |
|------|--------|---------|----|-----|----|----|------|--|------|
|      |        |         |    |     |    |    |      |  |      |
|      |        |         |    |     |    |    |      |  |      |
| 1720 | 639066 | 3506292 | 18 | 320 | 30 | 20 | 8760 |  | 0.03 |

### 6.2.3

#### 6.2.3.1

#### 6.2.3.2

#### 6.2.3.3

|   |    |       |
|---|----|-------|
|   |    |       |
| / | /  |       |
|   |    | 229.3 |
|   | /  | 42.0  |
|   | /  | -10.3 |
|   |    |       |
|   |    |       |
|   | /m | 90    |
|   |    |       |

#### 6.2.3.4

|      |  |                  |     |        |        |   |
|------|--|------------------|-----|--------|--------|---|
|      |  |                  |     |        |        |   |
|      |  | PM <sub>10</sub> | 450 | 4.0834 | 0.9074 | / |
| 1720 |  | TSP              | 900 | 3.3162 | 0.3685 | / |

1%

HJ2.2-2018

## 6.2.4

### 6.2.4.1

|   |    |  |     |       |       |
|---|----|--|-----|-------|-------|
|   |    |  |     |       |       |
| 1 | 1# |  | 0.8 | 0.081 | 0.634 |

|   |  |       |
|---|--|-------|
|   |  |       |
| 1 |  | 0.634 |

|    |  |  |  |        |        |    |   |  |
|----|--|--|--|--------|--------|----|---|--|
|    |  |  |  |        |        |    |   |  |
| 1# |  |  |  | 101.54 | 10.154 | 1h | 2 |  |

## 6.2.5

## 6.2.6

## 6.2.7

## 6.2.8

|  |                                  |                                     |   |                                       |                                                                            |
|--|----------------------------------|-------------------------------------|---|---------------------------------------|----------------------------------------------------------------------------|
|  |                                  |                                     |   | <input checked="" type="checkbox"/>   |                                                                            |
|  |                                  |                                     |   | 5                                     | =5 km <input checked="" type="checkbox"/>                                  |
|  | SO <sub>2</sub> +NO <sub>x</sub> |                                     |   | 500 ~                                 | 500 t/a <input checked="" type="checkbox"/>                                |
|  |                                  | HCl NH <sub>3</sub> TSP             |   |                                       | PM <sub>2.5</sub><br>PM <sub>2.5</sub> <input checked="" type="checkbox"/> |
|  |                                  | <input checked="" type="checkbox"/> |   | D <input checked="" type="checkbox"/> | <input checked="" type="checkbox"/>                                        |
|  |                                  |                                     |   | <input checked="" type="checkbox"/>   |                                                                            |
|  |                                  |                                     |   | 2018                                  |                                                                            |
|  |                                  |                                     |   | <input checked="" type="checkbox"/>   | <input checked="" type="checkbox"/>                                        |
|  |                                  |                                     |   |                                       | <input checked="" type="checkbox"/>                                        |
|  |                                  | <input checked="" type="checkbox"/> |   | <input checked="" type="checkbox"/>   |                                                                            |
|  |                                  | <input checked="" type="checkbox"/> |   | <input checked="" type="checkbox"/>   |                                                                            |
|  |                                  | <input checked="" type="checkbox"/> |   |                                       |                                                                            |
|  |                                  |                                     |   |                                       |                                                                            |
|  |                                  |                                     |   | 5 50km                                |                                                                            |
|  |                                  |                                     |   |                                       | PM <sub>2.5</sub><br>PM <sub>2.5</sub>                                     |
|  |                                  |                                     |   | C                                     | C                                                                          |
|  |                                  |                                     |   | C                                     | C                                                                          |
|  |                                  |                                     |   | C                                     | C                                                                          |
|  | 1h                               |                                     | h | C                                     | C                                                                          |
|  |                                  |                                     |   | C                                     | C                                                                          |
|  |                                  |                                     |   | k -                                   | k -                                                                        |
|  |                                  |                                     |   | <input checked="" type="checkbox"/>   |                                                                            |
|  |                                  |                                     |   | <input checked="" type="checkbox"/>   |                                                                            |

|  |  |                                     |             |                                     |
|--|--|-------------------------------------|-------------|-------------------------------------|
|  |  |                                     |             | <input checked="" type="checkbox"/> |
|  |  | <input checked="" type="checkbox"/> |             |                                     |
|  |  | m                                   |             |                                     |
|  |  | SO <sub>2</sub> : t/a               | : 0.634 t/a | VOCs: t/a                           |
|  |  |                                     |             |                                     |

## 6.3

### 6.3.1

### 6.3.2

## 6.3.3

|  |  |                                     |                                       |
|--|--|-------------------------------------|---------------------------------------|
|  |  |                                     |                                       |
|  |  | <input checked="" type="checkbox"/> |                                       |
|  |  | <input checked="" type="checkbox"/> |                                       |
|  |  | <input checked="" type="checkbox"/> |                                       |
|  |  | <input checked="" type="checkbox"/> | pH                                    |
|  |  | <input checked="" type="checkbox"/> |                                       |
|  |  | A                                   | B <input checked="" type="checkbox"/> |
|  |  |                                     |                                       |
|  |  |                                     |                                       |
|  |  | <input checked="" type="checkbox"/> | <input checked="" type="checkbox"/>   |
|  |  | <input checked="" type="checkbox"/> |                                       |
|  |  |                                     |                                       |
|  |  |                                     |                                       |
|  |  | <input checked="" type="checkbox"/> |                                       |
|  |  | <input checked="" type="checkbox"/> |                                       |
|  |  | km                                  | km                                    |
|  |  |                                     |                                       |



|  |  |                                                                         |                                     |
|--|--|-------------------------------------------------------------------------|-------------------------------------|
|  |  |                                                                         |                                     |
|  |  | III <input checked="" type="checkbox"/>                                 |                                     |
|  |  | <input checked="" type="checkbox"/> <input checked="" type="checkbox"/> |                                     |
|  |  | <input checked="" type="checkbox"/> <input checked="" type="checkbox"/> | <input checked="" type="checkbox"/> |
|  |  | km                                                                      | km                                  |
|  |  |                                                                         |                                     |
|  |  |                                                                         |                                     |
|  |  |                                                                         |                                     |
|  |  |                                                                         |                                     |
|  |  |                                                                         |                                     |



## 6.4

## 6.5

### 6.5.1

2016

|   |  |      |       |  |
|---|--|------|-------|--|
|   |  |      |       |  |
| 1 |  | /    | 62000 |  |
| 2 |  | /    | 10000 |  |
| 3 |  | /    | 18.25 |  |
| 4 |  | HW08 | 320   |  |
| 5 |  | HW49 | 150   |  |
| 6 |  | HW49 | 2.5   |  |
| 7 |  | HW08 | 25    |  |
| 8 |  | HW49 | 0.5   |  |
| 9 |  | HW17 | 800   |  |

### 6.5.2

### **6.5.3**

" "

## **6.6**

### **6.6.1**

#### **6.6.1.1**

• •

•

•

•

•

•

•

•

•

**6.6.1.2**

## **6.6.2**

## **6.7**

### **6.7.1**

6.7.2

|  |  |                                     |                                     |                                     |                          |
|--|--|-------------------------------------|-------------------------------------|-------------------------------------|--------------------------|
|  |  |                                     |                                     |                                     |                          |
|  |  | <input checked="" type="checkbox"/> | <input type="checkbox"/>            | <input type="checkbox"/>            |                          |
|  |  | <input checked="" type="checkbox"/> | <input type="checkbox"/>            | <input type="checkbox"/>            |                          |
|  |  |                                     |                                     |                                     |                          |
|  |  |                                     |                                     |                                     |                          |
|  |  | <input type="checkbox"/>            | <input type="checkbox"/>            | <input type="checkbox"/>            | <input type="checkbox"/> |
|  |  |                                     |                                     |                                     |                          |
|  |  | <input type="checkbox"/>            | <input checked="" type="checkbox"/> | <input type="checkbox"/>            | <input type="checkbox"/> |
|  |  | <input type="checkbox"/>            | <input type="checkbox"/>            | <input checked="" type="checkbox"/> |                          |
|  |  | <input type="checkbox"/>            | <input type="checkbox"/>            | <input checked="" type="checkbox"/> |                          |
|  |  | <input type="checkbox"/>            | <input type="checkbox"/>            | <input type="checkbox"/>            | <input type="checkbox"/> |
|  |  |                                     |                                     |                                     |                          |
|  |  |                                     |                                     |                                     |                          |
|  |  |                                     |                                     |                                     |                          |
|  |  |                                     |                                     |                                     |                          |
|  |  |                                     |                                     |                                     |                          |
|  |  | <input type="checkbox"/>            | <input checked="" type="checkbox"/> | <input type="checkbox"/>            | <input type="checkbox"/> |
|  |  |                                     |                                     |                                     |                          |
|  |  |                                     |                                     |                                     |                          |
|  |  | <input type="checkbox"/>            | <input type="checkbox"/>            |                                     |                          |
|  |  |                                     |                                     |                                     |                          |
|  |  | <input type="checkbox"/>            | <input type="checkbox"/>            | <input type="checkbox"/>            | <input type="checkbox"/> |
|  |  |                                     | <input type="checkbox"/>            | <input type="checkbox"/>            | <input type="checkbox"/> |
|  |  |                                     |                                     |                                     |                          |
|  |  |                                     |                                     |                                     |                          |
|  |  |                                     |                                     |                                     |                          |
|  |  |                                     |                                     |                                     |                          |

## 6.8



|  |  |  |  |  |                  |
|--|--|--|--|--|------------------|
|  |  |  |  |  | LC <sub>50</sub> |
|--|--|--|--|--|------------------|

6.8.1.2

6.8.2

6.8.2.1

$$Q = \frac{q_1}{Q_1} + \frac{q_2}{Q_2} + \dots + \frac{q_n}{Q_n}$$

..... ---

..... ---

|   |         |           |     |      |       |
|---|---------|-----------|-----|------|-------|
|   |         |           |     |      |       |
| 1 | 25%     | 1336-21-6 | 36  | 10   | 3.6   |
| 2 |         | /         | 15  | 2500 | 0.006 |
| 3 | 20%~32% | 7647-01-0 | 708 | /    | /     |
|   |         |           |     |      | 3.606 |

|   |       |           |
|---|-------|-----------|
|   |       |           |
|   |       | 10/       |
|   |       | 5/        |
|   | a     | 5/        |
| / | /     | 10        |
|   | b     | 10        |
|   |       | 5         |
| a | b 300 | P 10.0MPa |

|          |    |    |    |    |
|----------|----|----|----|----|
|          |    |    |    |    |
|          |    |    |    |    |
| Q 100    | P1 | P1 | P2 | P3 |
| 10 Q 100 | P1 | P2 | P3 | P4 |
| 1 Q 10   | P2 | P3 | P4 | P4 |

## 6.8.2.2

|    |                  |   |              |                     |     |
|----|------------------|---|--------------|---------------------|-----|
|    |                  |   |              |                     |     |
| E1 | 5km<br>5<br>1000 |   |              | 500m<br>200m<br>200 |     |
| E2 | 5km<br>1<br>1000 | 5 |              | 500m<br>200m<br>100 | 500 |
| E3 | 5km<br>1         |   | 500m<br>200m | 500                 | 100 |

|    |     |
|----|-----|
|    |     |
| F1 | 24h |
| F2 | 24h |
| F3 |     |

|    |      |
|----|------|
|    |      |
| S1 | 10km |
| S2 | 10km |

|    |             |
|----|-------------|
|    |             |
| S3 | 10km<br>1 2 |

|    |    |    |    |
|----|----|----|----|
|    |    |    |    |
| S1 | E1 | E1 | E2 |
| S2 | E1 | E2 | E3 |
| S3 | E1 | E2 | E3 |

|    |  |
|----|--|
|    |  |
| G1 |  |
| G2 |  |
| G3 |  |

|    |                                                                             |
|----|-----------------------------------------------------------------------------|
|    |                                                                             |
| D3 | $^{-6}\text{cm/s}$                                                          |
| D2 | 1.0m $^{-6}\text{cm/s}$<br>$1 \times 10^{-6}\text{cm/s}$ $^{-4}\text{cm/s}$ |
| D1 | D2 D3                                                                       |

|    |  |
|----|--|
|    |  |
| G1 |  |

|    |  |
|----|--|
| G2 |  |
| G3 |  |

|    |    |    |    |
|----|----|----|----|
|    |    |    |    |
| D1 | E1 | E1 | E2 |
| D2 | E1 | E2 | E3 |
| D3 | E2 | E3 | E3 |

### 6.8.2.3

|    |     |    |  |  |
|----|-----|----|--|--|
|    |     |    |  |  |
| E1 | IV+ | IV |  |  |
| E2 | IV  |    |  |  |
| E3 |     |    |  |  |

### 6.8.3

### 6.8.4

|  |  |  |  |  |  |
|--|--|--|--|--|--|
|  |  |  |  |  |  |
|  |  |  |  |  |  |
|  |  |  |  |  |  |
|  |  |  |  |  |  |
|  |  |  |  |  |  |
|  |  |  |  |  |  |
|  |  |  |  |  |  |

### 6.8.5

#### 6.8.5.1

×

#### 6.8.5.2

---

$$Q_L = C_d A \rho \sqrt{\frac{2(P - P_0)}{\rho} + 2gh}$$

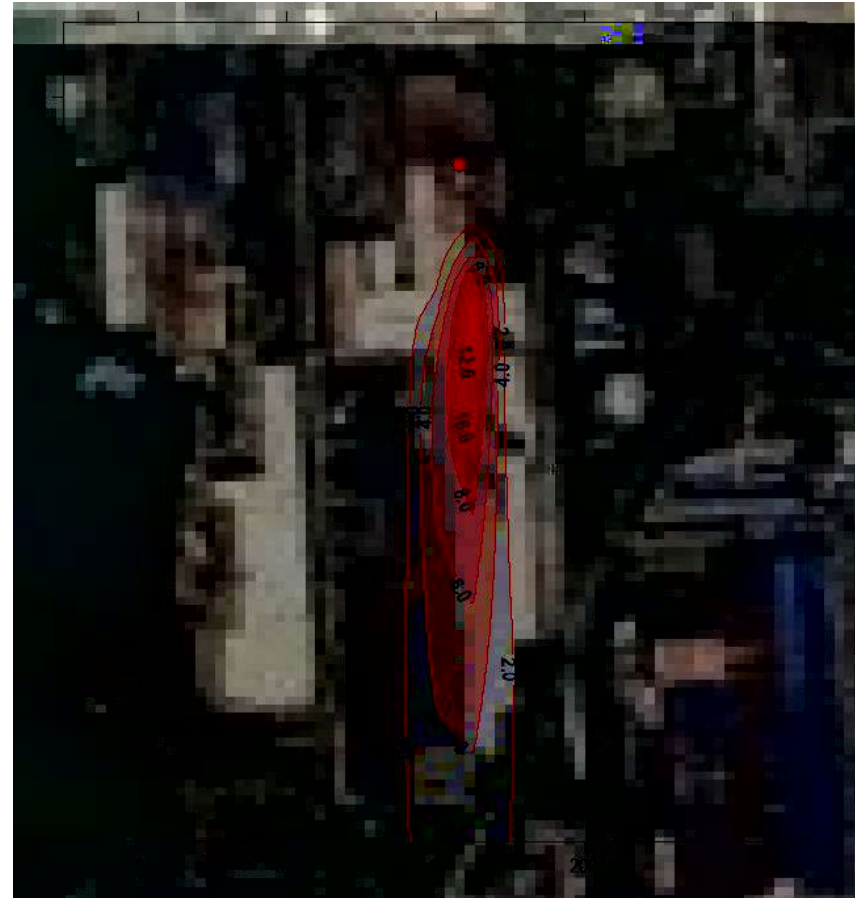
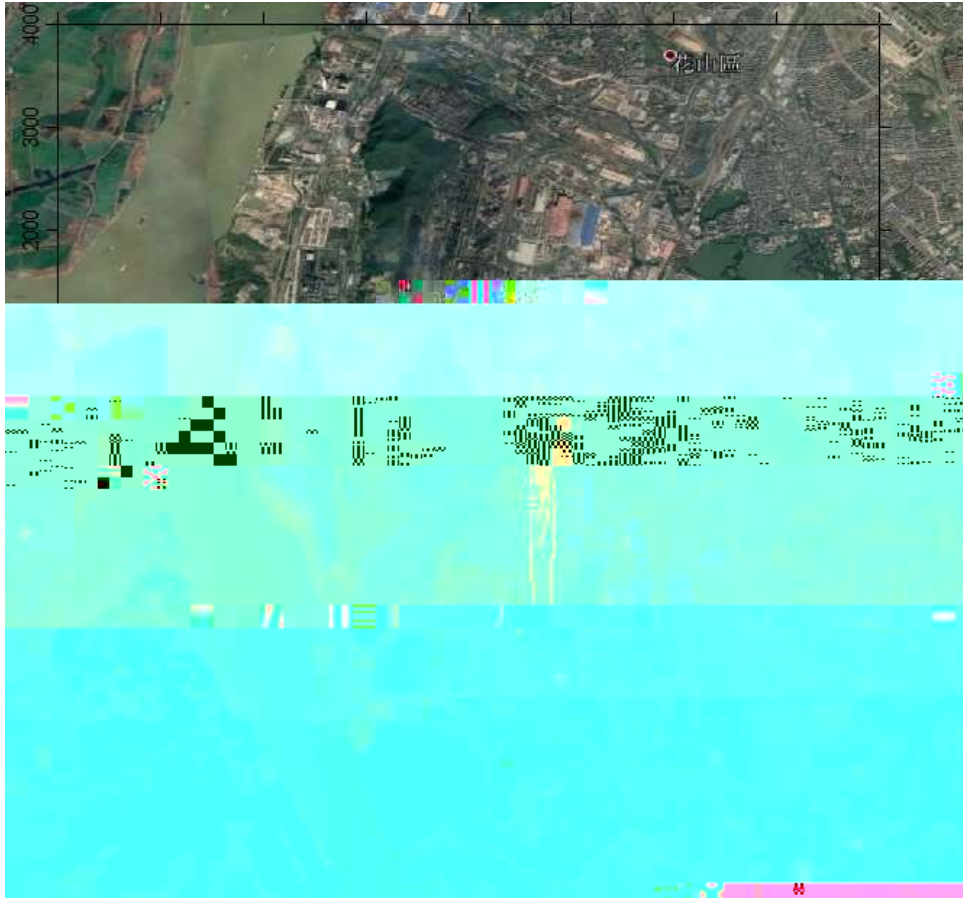
---  
---  
---  
---  
---  
---  
---  
---

### 6.8.6

|    |     |            |
|----|-----|------------|
|    |     |            |
| 1  | 90  | 2.4524E+01 |
| 3  | 120 | 2.4524E+01 |
| 5  | 120 | 2.6719E+01 |
| 7  | 120 | 2.6719E+01 |
| 9  | 120 | 2.6719E+01 |
| 11 | 120 | 2.6719E+01 |
| 13 | 120 | 2.6719E+01 |
| 15 | 120 | 2.6719E+01 |
| 17 | 120 | 2.6719E+01 |
| 19 | 120 | 2.6719E+01 |
| 21 | 120 | 2.6719E+01 |
| 23 | 120 | 2.6719E+01 |
| 25 | 120 | 2.6719E+01 |
| 27 | 120 | 2.6719E+01 |
| 29 | 120 | 2.6719E+01 |

|     |        |     |     |  |    |
|-----|--------|-----|-----|--|----|
|     |        |     |     |  |    |
| HCl | 26.719 | 120 | 150 |  | 33 |





**6.8.7**

**6.8.7.1**

**6.8.7.2**

## 6.8.9

## 6.8.10

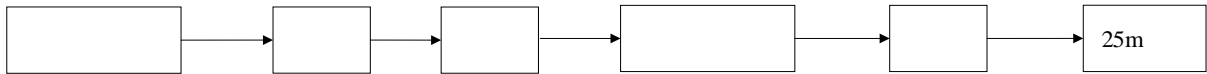
|  |  |                          |                                     |                          |                                     |                                     |  |
|--|--|--------------------------|-------------------------------------|--------------------------|-------------------------------------|-------------------------------------|--|
|  |  |                          |                                     |                          |                                     |                                     |  |
|  |  |                          |                                     |                          |                                     |                                     |  |
|  |  |                          |                                     |                          |                                     |                                     |  |
|  |  |                          |                                     |                          |                                     |                                     |  |
|  |  |                          |                                     |                          |                                     |                                     |  |
|  |  |                          |                                     | <input type="checkbox"/> | <input type="checkbox"/>            | <input checked="" type="checkbox"/> |  |
|  |  |                          |                                     | <input type="checkbox"/> | <input type="checkbox"/>            | <input checked="" type="checkbox"/> |  |
|  |  |                          |                                     | <input type="checkbox"/> | <input checked="" type="checkbox"/> | <input type="checkbox"/>            |  |
|  |  | <input type="checkbox"/> | <input checked="" type="checkbox"/> | <input type="checkbox"/> | <input type="checkbox"/>            |                                     |  |
|  |  | <input type="checkbox"/> | <input type="checkbox"/>            | <input type="checkbox"/> | <input checked="" type="checkbox"/> |                                     |  |

# 7

## 7.1

### 7.1.1

#### 7.1.1.1

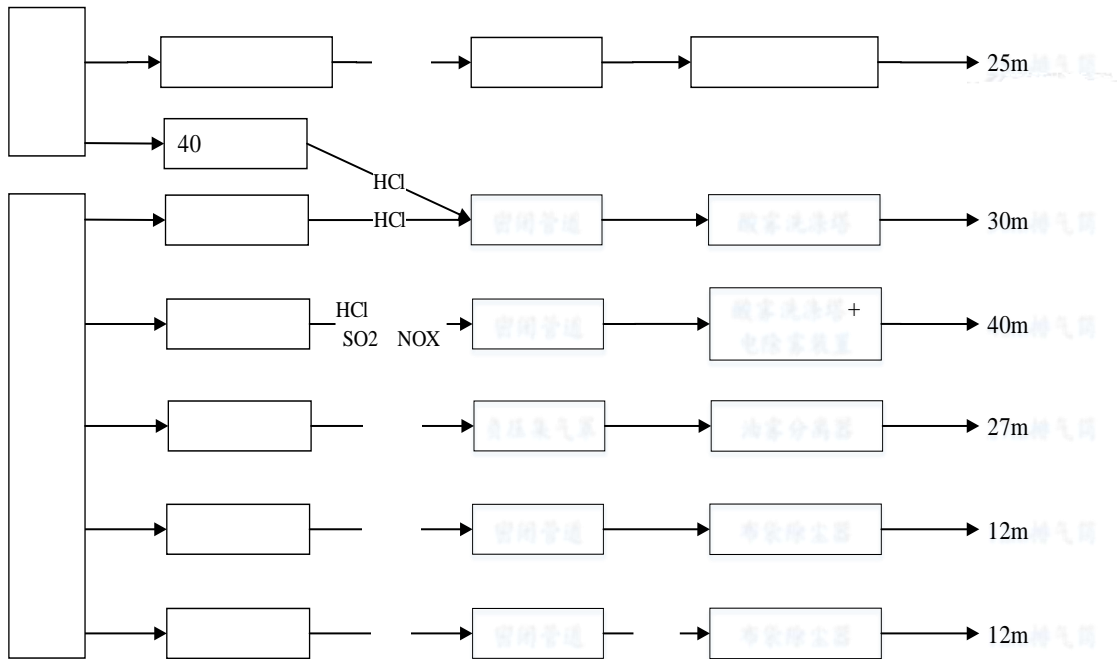


HJ-BAT-006

99.5%~99.9%

#### 7.1.1.2

|  |                                        |  |     |     |
|--|----------------------------------------|--|-----|-----|
|  |                                        |  |     | 25m |
|  | HCl                                    |  |     | 30m |
|  |                                        |  |     | 27m |
|  | HCl<br>SO <sub>2</sub> NO <sub>x</sub> |  | +   | 40m |
|  |                                        |  | 1 1 | 12m |



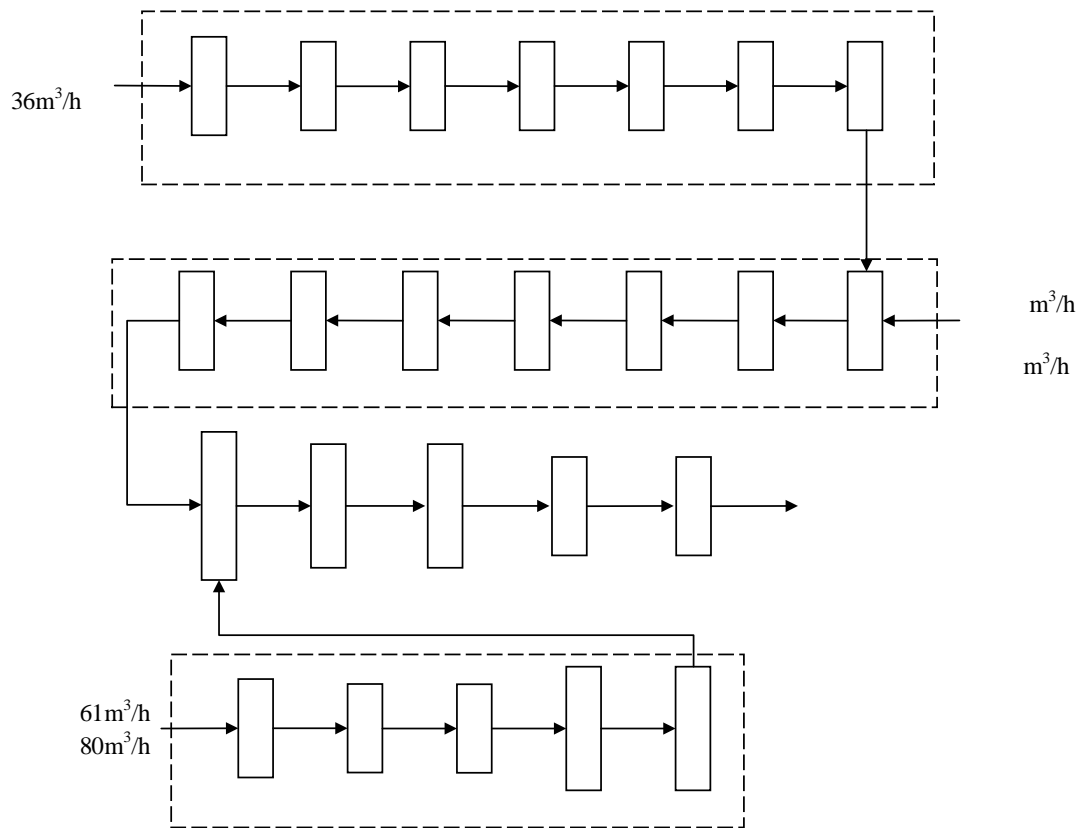
## 7.1.2

## 7.1.3

## 7.2

### 7.2.1

### 7.2.2



### 7.2.3

### 7.3

15dB(A)

### 7.4



### 7.4.1

### 7.4.2

### 7.4.3



**7.5**

### 7.5.1

"

"

### 7.5.2

"

"

"

"

"

"

"

"

## 7.5.3

## 7.5-1

|  |   |  |  |  |
|--|---|--|--|--|
|  |   |  |  |  |
|  |   |  |  |  |
|  | - |  |  |  |
|  |   |  |  |  |

 $^{-7} \text{ cm/s}$ 

-

 $^{-7} \text{ cm/s}$

# 8

## 8.1

## 8.2

## 8.3

### 8.3.1

### 8.3.2

## **9**

### **9.1**

#### **9.1.1**

#### **9.1.2**

#### **9.1.3**










### 9.1.4

" "

### 9.2



|  |  |  |  |
|--|--|--|--|
|  |  |  |  |
|  |  |  |  |
|  |  |  |  |

|   |                                                                                    |                                                                                     |  |
|---|------------------------------------------------------------------------------------|-------------------------------------------------------------------------------------|--|
|   |                                                                                    |                                                                                     |  |
| 1 |   |    |  |
| 2 |   |    |  |
| 3 |   |    |  |
| 4 |  |   |  |
| 5 |                                                                                    |  |  |

## 9.3

|  |        |                          |                 |           |      |       |       |              |
|--|--------|--------------------------|-----------------|-----------|------|-------|-------|--------------|
|  |        |                          |                 |           |      |       |       |              |
|  | 5# ( ) |                          |                 | +<br>+25m | 0.8  | 0.081 | 0.634 | GB28665-2012 |
|  | DA127  | +40m <sup>3</sup><br>( ) | HCl             | + +30m    | 12.2 | 0.183 | 1.424 |              |
|  | DA125  |                          |                 | + +27m    | 5.3  | 1.066 | 8.316 |              |
|  | DA126  |                          | HCl             | + +40m    | 20.7 | 0.393 | 3.065 |              |
|  |        |                          |                 |           | 3.8  | 0.071 | 0.556 |              |
|  |        |                          | SO <sub>2</sub> |           | 35.7 | 0.678 | 5.29  |              |
|  |        |                          | NO <sub>x</sub> |           | 40.7 | 0.774 | 6.038 |              |
|  | DA128  |                          |                 | + +12m    | 7.8  | 0.078 | 0.608 |              |

## 9.4

## 9.5

### 9.5.1

|  |      |          |     |                |
|--|------|----------|-----|----------------|
|  |      |          |     |                |
|  | ZK04 | pH<br>Hg | 1 1 | GB/T14848-2017 |

### 9.5.2

|  |      |                                        |     |              |
|--|------|----------------------------------------|-----|--------------|
|  |      |                                        |     |              |
|  |      |                                        | 1 1 | GB28665-2012 |
|  |      | HCl                                    |     |              |
|  |      | HCl<br>SO <sub>2</sub> NO <sub>x</sub> |     |              |
|  |      |                                        |     |              |
|  | 1720 | HCl                                    |     |              |
|  |      | A                                      |     | GB12348-2008 |

9.6 " "

|  |                                        |     |          |              |    |
|--|----------------------------------------|-----|----------|--------------|----|
|  |                                        |     |          |              |    |
|  |                                        |     | 301      |              |    |
|  |                                        |     |          | GB13456-2012 |    |
|  |                                        |     | + +25m   |              | 25 |
|  | +40m <sup>3</sup>                      | HCl | + +30m   |              |    |
|  |                                        |     | + +27m   |              |    |
|  |                                        |     | + +12m   |              |    |
|  | HCl<br>SO <sub>2</sub> NO <sub>x</sub> |     | + + +40m | GB28665-2012 |    |

GB18599-2001

# 10

## 10.1

## 10.2

GB3096-2008

3

## 10.3

**10.4**

**10.5**

**10.6**

**10.7**

**10.8**

“ ”